

THERMOBILE INDUSTRIES

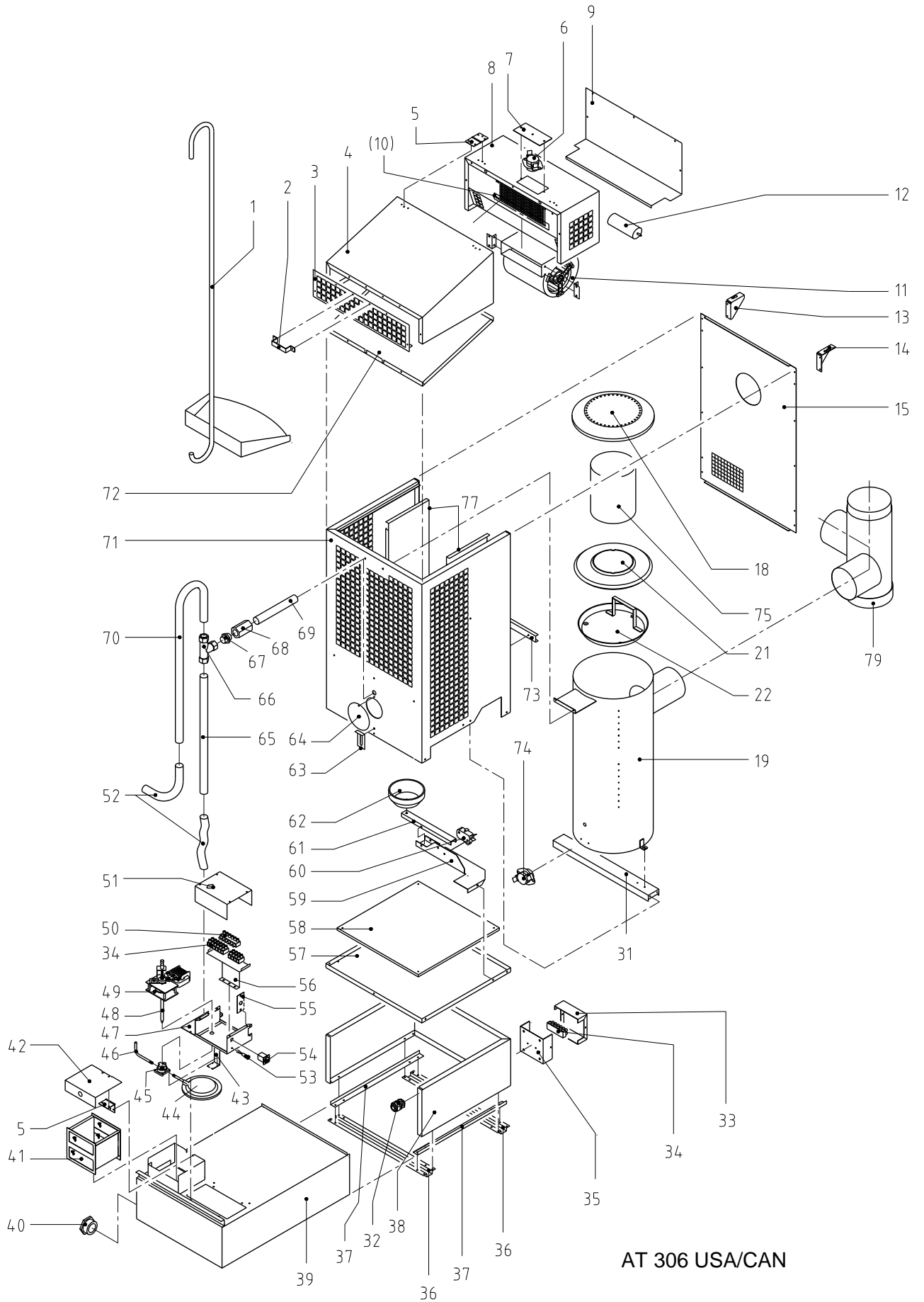
THERMOBILE[®]

Spare parts AT 306/307
USA/CAN

Thermobile Industries BV +31(0)76 587 34 50
Fax +31 (0)76 587 27 89 info@thermobile.nl www.thermobile.com

THERMOBILE INDUSTRIES

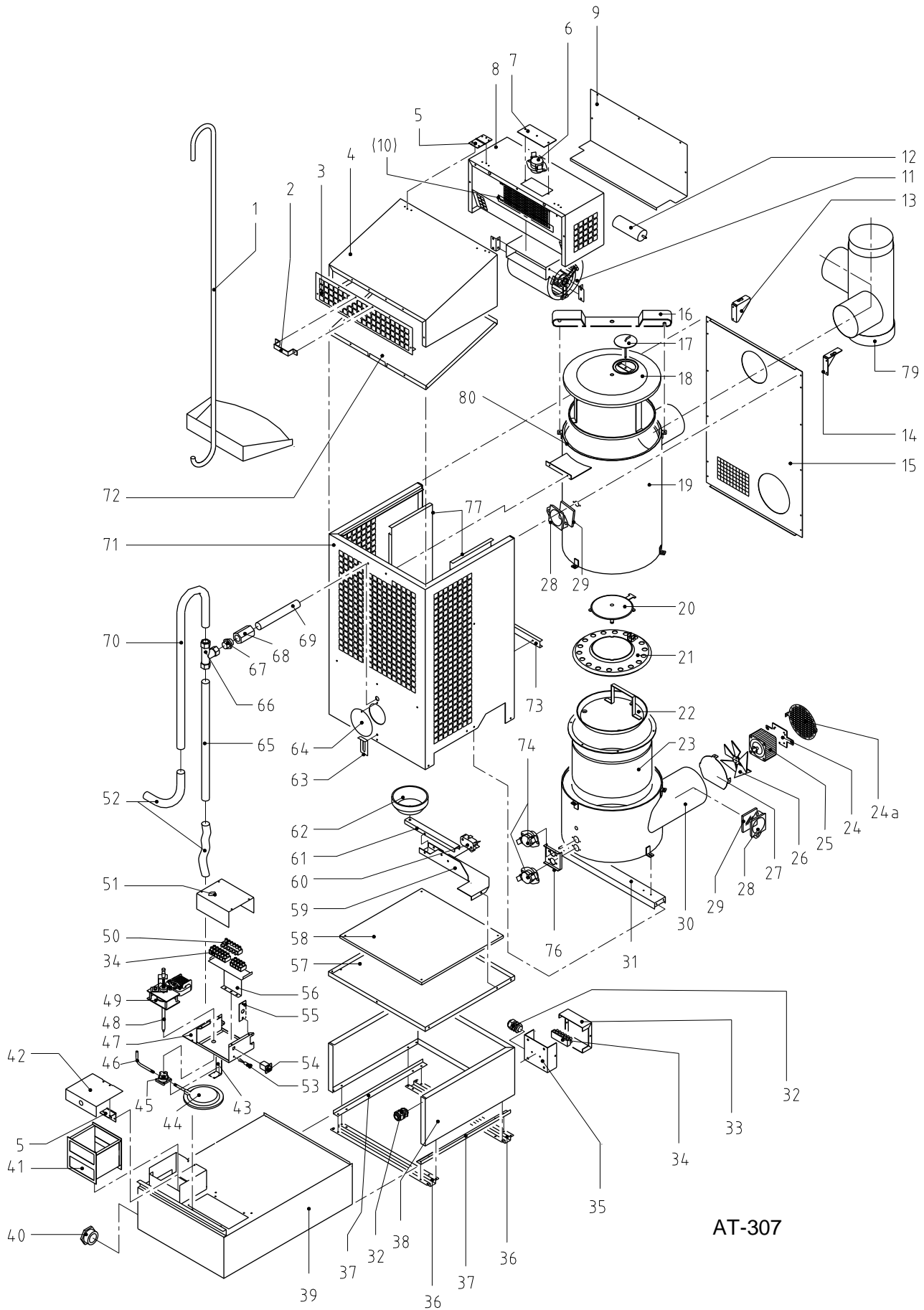
AT-306



AT 306 USA/CAN

THERMOBILE INDUSTRIES

AT-307



AT-307

THERMOBILE INDUSTRIES

| Pos. | AT 306 | AT 307 | English |
|-------------|--------------------|--------------------|---------------------------------|
| 40 | 41.900.936 | 41.900.936 | DRAIN TAP |
| 40a | 41.900.955 | 41.900.955 | KEY |
| 41 | 41.904.090 | 41.904.090 | FUEL TANK FILTER |
| 42 | 41.904.028_8957 | 41.904.028_8957 | COVER |
| 43 | 41.904.030 | 41.904.030 | PUMP SUPPORT |
| 44 | 41.900.609 | 41.900.609 | FUEL FILTER |
| 45 | 41.900.591 | 41.900.591 | FUEL PUMP |
| 46 | 41.900.605 | 41.900.605 | PIPE |
| 47 | 41.904.220_8957/01 | 41.904.220_8957/01 | CONTROL PANEL |
| 48 | 41.904.052 | 41.904.052 | DRIVE SHAFT |
| 48a | 40.502.000 | 40.502.000 | SPLIT |
| 49 | 41.900.657 | 41.900.657 | PUMP MOTOR |
| 50 | 40.506.807 | 40.506.807 | CROWN STRIP(MALE) |
| 51 | 41.904.219_6365 | 41.904.219_6365 | COVER |
| 52 | 41.904.064 | 41.904.064 | FUEL SUPPLY HOSE |
| 53 | 41.900.654 | 41.900.654 | PILOT LIGHT |
| 54 | 40.507.025 | 40.507.025 | SWITCH PLATE |
| 55 | 41.906.030_8957 | 41.906.030_8957 | PLATE |
| 56 | 41.904.223 | 41.904.223 | CROWN STRIP BRACKET |
| 57 | 41.906.020_8957 | 41.906.020_8957 | FUEL COLLECTOR |
| 58 | 41.906.021 | 41.906.021 | HEAT DEFLECTOR |
| 59 | 41.906.071 | 41.906.071 | BRACKET |
| 60 | 41.910.004 | 41.910.004 | SWITCH |
| 61 | 41.906.061 | 41.906.061 | BRACKET |
| 62 | 41.910.185 | 41.910.185 | OVERFLOW CUP |
| 63 | 41.904.032_8957 | 41.904.032_8957 | LOCKING |
| 64 | 41.900.570_8957/01 | 41.900.570_8957/01 | COVER PLATE |
| 65 | 41.904.053 | 41.904.053 | DOSING PIPE |
| 66 | 41.900.676 | 41.900.676 | 3 WAY T-CONNECTOR |
| 67 | 40.406.007 | 40.406.007 | HOSE COUPLING |
| 68 | 41.904.055 | 41.904.055 | SOCKET COUPLING BOX |
| 69 | 41.906.010 | 41.906.010 | DRIP FEED PIPE |
| 70 | 41.904.054 | 41.904.054 | RETURNN PIPE |
| 71 | 41.906.016_8957/10 | 41.906.016_8957/10 | JACKET |
| 72 | 41.904.082/01 | 41.904.082/01 | COOLING PLATE |
| 73 | 41.904.061 | 41.904.061 | BRACKET |
| 74 | 40.000.167 | 40.000.167 | THERMOSTAT |
| 75 | 41.900.513/02 | | AFTER-BURNING CYLINDER |
| 76 | 40.000.166/03 | 41.906.131 | THERMOSTAT BRACKET |
| 77 | 41.905.018/01 | 41.905.018/01 | COOLING PLATE |
| 78 | 40.503.013 | 40.503.013 | CABLE INLET GLAND |
| 79 | 41.904.240 | 41.904.240 | T-PIECE WITH DRAFT REGULATOR |
| 80 | | 41.900.805 | SEALING CORD |
| 81 | 41.905.002_8957 | | TOP PLATE |
| | | | |

THERMOBILE INDUSTRIES

| Pos. | AT 306 | AT 307 | Francais |
|-------------|--------------------|--------------------|----------------------------------|
| 1 | 41.900.606 | 41.900.606 | PELLE |
| 2 | 46.100.308 | 46.100.308 | LEVIER |
| 3 | 41.904.081_8957/02 | 41.904.081_8957/02 | GRILLE |
| 4 | 41.904.080_6365 | 41.904.080_6365 | THERMODIFFUSEUR |
| 5 | 41.900.937 | 41.900.937 | CHARNIÈRE |
| 6 | 41.000.206 | 41.000.206 | MAXIMAL THERMOSTAT |
| 7 | 41.904.096_8957/04 | 41.904.096_8957/04 | TÔLE A RECOUVER |
| 8 | 41.904.099_8957 | 41.904.099_8957 | LOGEMENT DE VENTILATEUR |
| 9 | 41.904.103_8957 | 41.904.103_8957 | PAROI ARRIERE |
| 11 | 41.906.089 | 41.906.089 | RADIAL VENTILATEUR |
| 12 | 41.728.099 | 41.728.099 | CONDENSATEUR 30 µF 450V |
| 13 | 41.904.088_8957 | 41.904.088_8957 | SUPPORT A GAUCHE |
| 14 | 41.904.089_8957 | 41.904.089_8957 | SUPPORT A DROITE |
| 15 | 41.905.003/06 | 41.906.045/06 | SUPPORT DE CHAMBRE DE COMBUSTION |
| 16 | | 41.900.736_8957 | FERMETURE DE COUVERCLE |
| 17 | | 41.910.268/01 | COUVERCLE D EXPLOSION |
| 18 | 41.900.512 | 41.900.730 | COUVERCLE CHAMBRE DE COMBUST. |
| 19 | 41.904.074/04 | 41.906.034/03 | CHAMBRE DE COMBUSTION |
| 20 | | 41.900.975 | PLAQUE DE CHALEUR |
| 21 | 41.900.597 | | ANNEAU SUPERIEUR |
| 21a | 41.900.519 | 41.900.974/01 | ANNEAU DE BRULEUR |
| 22 | 41.900.521 | 41.900.521 | COUPELLE DE COMBUSTION |
| 23 | | 41.906.126 | FOYER A EVAPORATION |
| 24 | | 41.906.005_8957/01 | MOTEUR COLLIER |
| 24a | | 41.921.020_8957/01 | GRILLE |
| 25 | | 41.906.210 | MOTEUR |
| 26 | | 41.900.804 | VENTILATEUR |
| 27 | | 41.906.043 | PLAQUE DE RADIATION |
| 28 | | 41.900.773 | FIXATEUR DU VERRE |
| 29 | | 41.900.776 | FENETRE D INSPECTION |
| 30 | | 41.906.127_8957/01 | BOITE A CIRCULATION |
| 31 | 41.904.045 | 41.904.045 | SUP. CHAMBRE DE COMBUSTION |
| 32 | 40.503.006 | 40.503.006 | GUIDE POUR CABLE |
| 32a | 40.202.098 | 40.202.098 | ECROU |
| 33 | 41.904.217 | 41.904.217 | PARTIE SUPERIEURE |
| 34 | 40.506.806 | 40.506.806 | PRISE (FEM) |
| 35 | 41.904.216 | 41.904.216 | BASE |
| 36 | 41.904.018 | 41.904.018 | U PROFIL |
| 37 | 41.906.019 | 41.906.019 | PIECE D ANGLE |
| 38 | 41.906.211_6365/01 | 41.906.211_6365/01 | CONSOLE |
| 39 | 41.906.006_8957/03 | 41.906.006_8957/03 | RESERVOIR DE FIOUL |
| 40 | 41.900.936 | 41.900.936 | VANNE DE VIDANGE |
| 40a | 41.900.955 | 41.900.955 | CLAY |
| 41 | 41.904.090 | 41.904.090 | FILTER DE FIOUL |
| | | | |

THERMOBILE INDUSTRIES

| Pos. | AT 306 | AT 307 | Francais |
|-------------|--------------------|--------------------|--------------------------|
| 42 | 41.904.028_8957 | 41.904.028_8957 | SOUPAPE |
| 43 | 41.904.030 | 41.904.030 | ANNEAU POUR POMPE |
| 44 | 41.900.609 | 41.900.609 | FILTRE DE FIOUL |
| 45 | 41.900.591 | 41.900.591 | POMPE A FIOUL |
| 46 | 41.900.605 | 41.900.605 | TUYAU |
| 47 | 41.904.220_8957/01 | 41.904.220_8957/01 | PANNEAU DE COMMANDE |
| 48 | 41.904.052 | 41.904.052 | ARBRE D ACTIONNEMENT |
| 48a | 40.502.000 | 40.502.000 | GOUPILLE |
| 49 | 41.900.657 | 41.900.657 | MOTEUR DE POMPE |
| 50 | 40.506.807 | 40.506.807 | PRISE(MAL) |
| 51 | 41.904.219_6365 | 41.904.219_6365 | COUVERCLE |
| 52 | 41.904.064 | 41.904.064 | TUYAU D ARRIVEE DE FIOUL |
| 53 | 41.900.654 | 41.900.654 | LAMPE TEMOIN |
| 54 | 40.507.025 | 40.507.025 | INTERRUPTEUR |
| 55 | 41.906.030_8957 | 41.906.030_8957 | PLAQUE DE TRAVERSEE |
| 56 | 41.904.223 | 41.904.223 | BANDE A COURRONNE |
| 57 | 41.906.020_8957 | 41.906.020_8957 | BAC DE RECUPERATION |
| 58 | 41.906.021 | 41.906.021 | LAME DE REFROIDISSEMENT |
| 59 | 41.906.071 | 41.906.071 | COLLIER |
| 60 | 41.910.004 | 41.910.004 | INTERRUPTEUR |
| 61 | 41.906.061 | 41.906.061 | COLLIER |
| 62 | 41.910.185 | 41.910.185 | GOBELET DE TROP PLEIN |
| 63 | 41.904.032_8957 | 41.904.032_8957 | BLOCKAGE |
| 64 | 41.900.570_8957/01 | 41.900.570_8957/01 | TOLE A RECOUVRIR |
| 65 | 41.904.053 | 41.904.053 | PIPE DE FIOUL |
| 66 | 41.900.676 | 41.900.676 | ACCOUPLLEMENT 3 SORTIES |
| 67 | 40.406.007 | 40.406.007 | ACCOUPLLEMENT A BOYAUX |
| 68 | 41.904.055 | 41.904.055 | MACHON D'ACCOUPLLEMENT |
| 69 | 41.906.010 | 41.906.010 | TUYAU |
| 70 | 41.904.054 | 41.904.054 | TUYAU DE RETOUR |
| 71 | 41.906.016_8957/10 | 41.906.016_8957/10 | CARROSSERIE |
| 72 | 41.904.082/01 | 41.904.082/01 | AILLETTE |
| 73 | 41.904.061 | 41.904.061 | COLLIER |
| 74 | 40.000.167 | 40.000.167 | THERMOSTAT |
| 75 | 41.900.513/02 | 41.900.513 | CYLINDRE DE COMBUSTION |
| 76 | 40.000.166/03 | 41.906.131 | COLLIER THERMOSTAT |
| 77 | 41.905.018/01 | 41.905.018 | AILLETTE |
| 78 | 40.503.013 | 40.503.013 | GUIDE POUR CABLE |
| 79 | 41.900.680 | 41.900.680 | T-PIECE |
| 80 | | 41.900.805 | CORDON ETANCHEITE |
| 81 | 41.905.002_8957 | | AILLETTE |
| | | | |
| | | | |
| | | | |

THERMOBILE INDUSTRIES

