

USER MANUAL ■ MANUEL DE L'UTILISATEUR ■ MANUAL DEL USUARIO

IMA US



THERMOBILE®

THERMOBILE INDUSTRIES BV

Konijnenberg 80, NL-4825 BD BREDA
Postbus 3312, NL-4800 DH BREDA
Bedrijfsnummer: 3502
Tel. +31 (0) 76 587 34 50
Fax +31 (0) 76 587 27 89
e-mail: info@thermobile.com
internet: www.thermobile.com

THERMOBILE FRANCE sarl

3, rue Denis Papin
45240 LA FERTÉ ST. AUBIN
FRANCE
Tel. +33 (0) 23 876 59 25
Fax +33 (0) 23 876 58 93
e-mail: info@thermobile.fr
internet: www.thermobile.fr

THERMOBILE UK LTD

12, Buckingham Close
Bermuda Industrial Estate
Nuneaton, Warwickshire
CV10 7JT, UNITED KINGDOM
Tel. +44 (0) 24 76 35 79 60
Fax +44 (0) 24 76 35 79 69
e-mail: info@thermobile.co.uk
internet: www.thermobile.co.uk

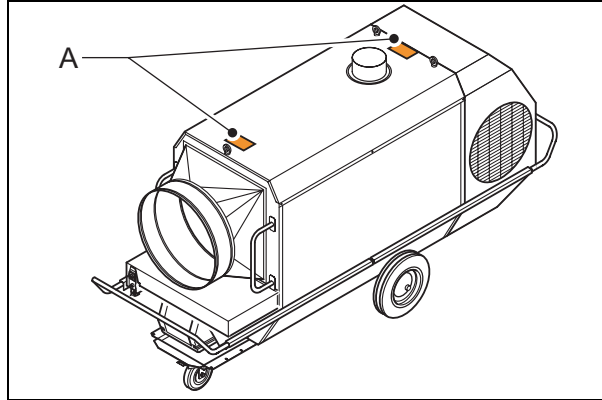


40.020.940 - v04 - 2011

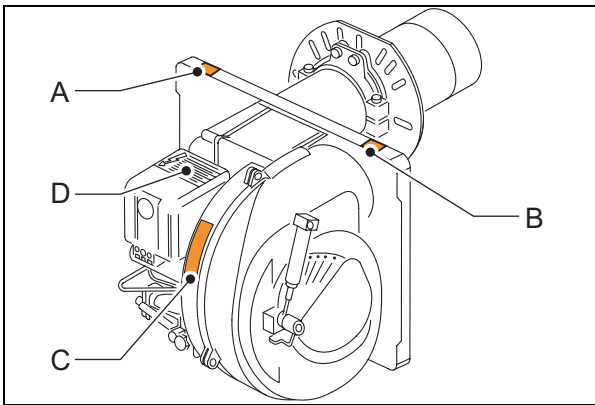
THERMOBILE

- A — Type..... **IMA US**
- B — Prod code..... 00.000.000
- C — Fuel..... No.1, No.2, Diesel
- D — Air volume outlet..... 0.000.000 Foot³/h
- E — Output net. Hi..... 000.000 BTU
- F — Voltage..... 0 x 000 V/Hz
- G — Run current..... 00 Amp.
- H — Fuel consumption..... 0,00 Gallon/h
- I — abr.year 0000 erial nr. 00.0000
- J — Made by THERMOBILE Ind. B.V. Breda, Holland

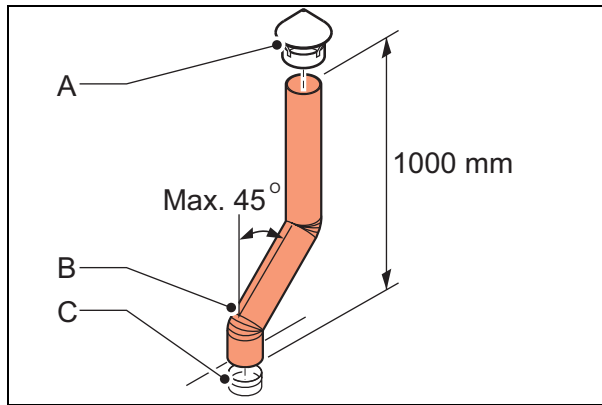
- 1 -



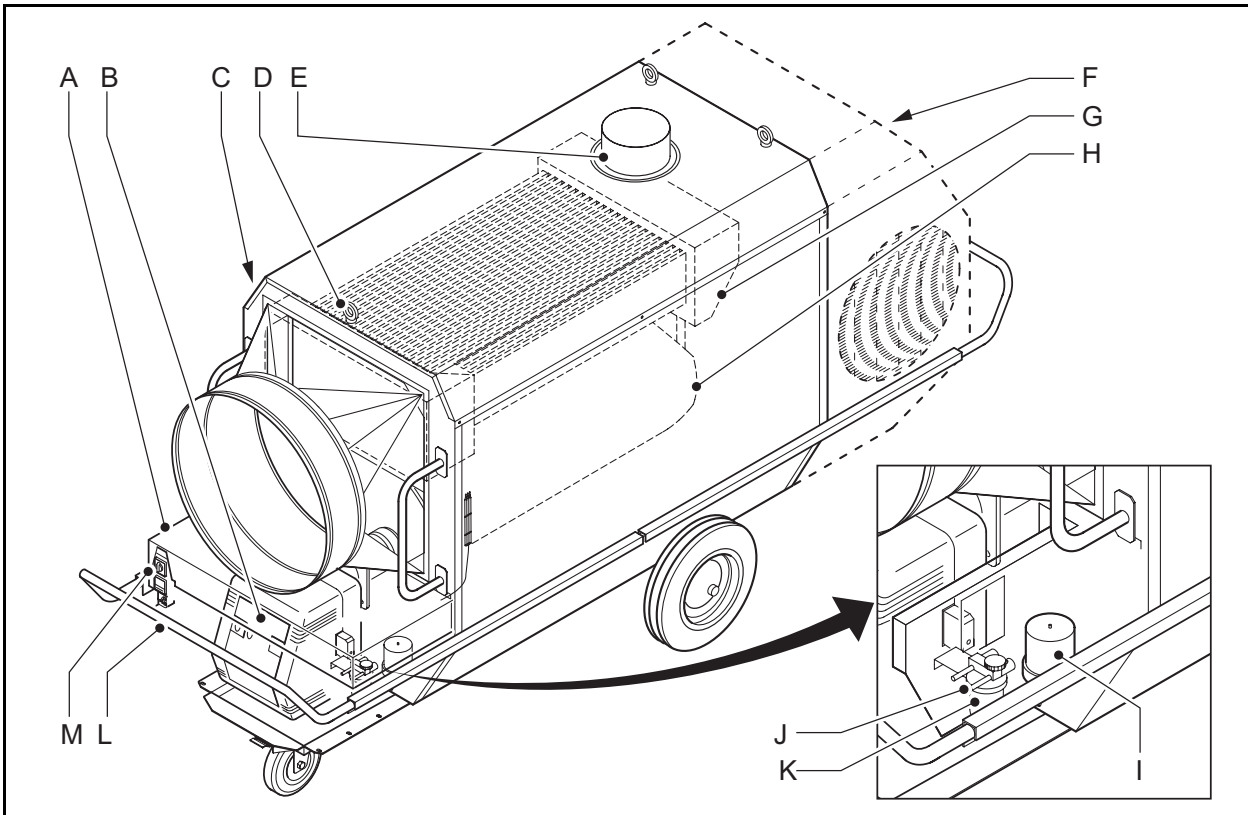
- 2 -



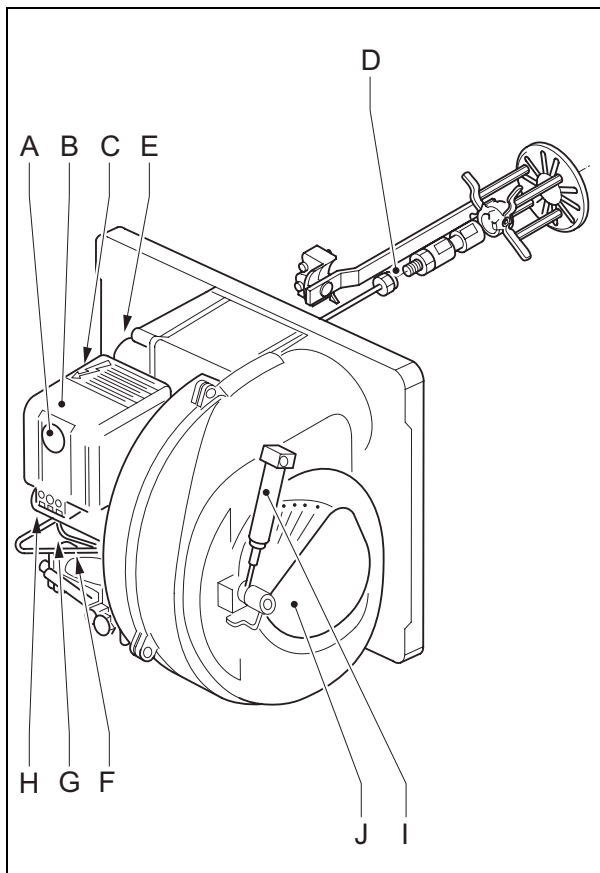
- 3 -



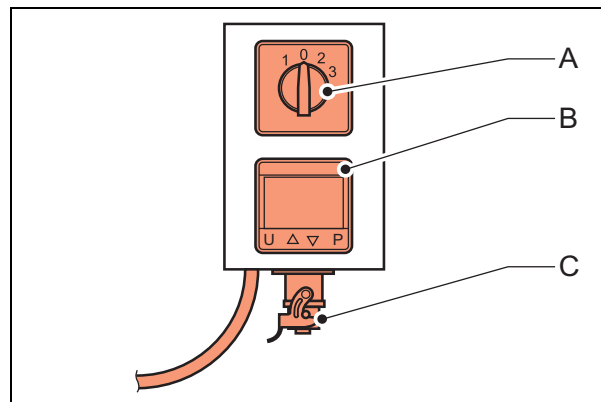
- 4 -



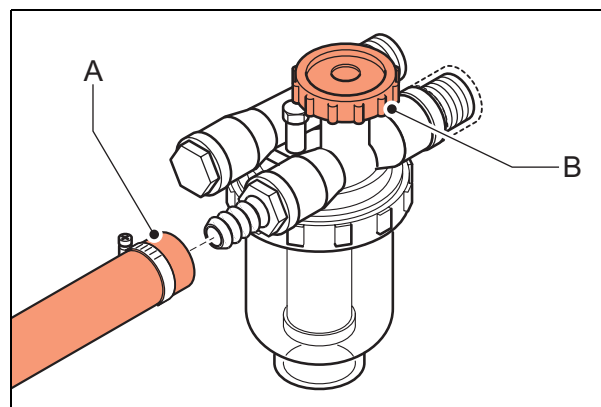
- 5 -



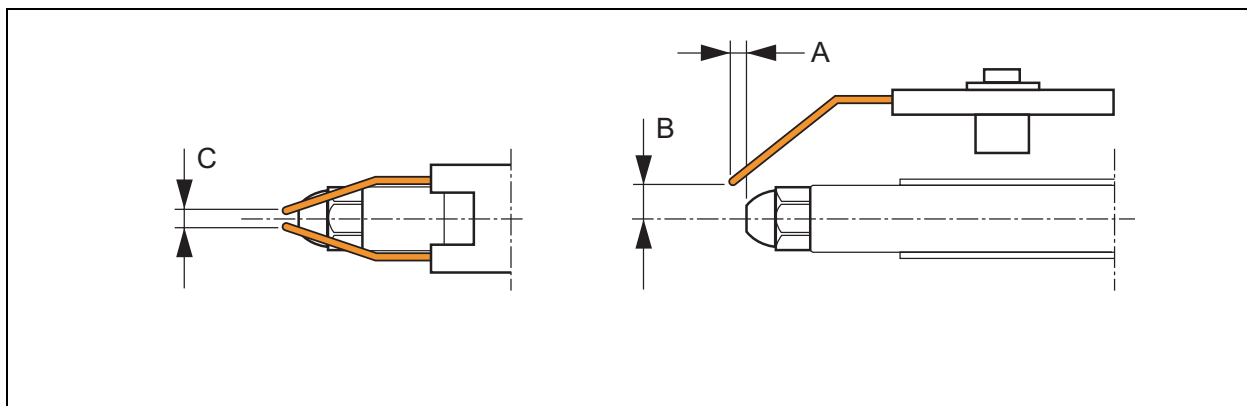
- 6 -



- 7 -

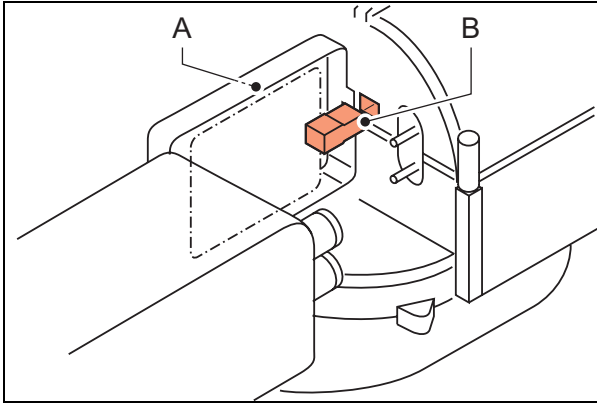


- 8 -

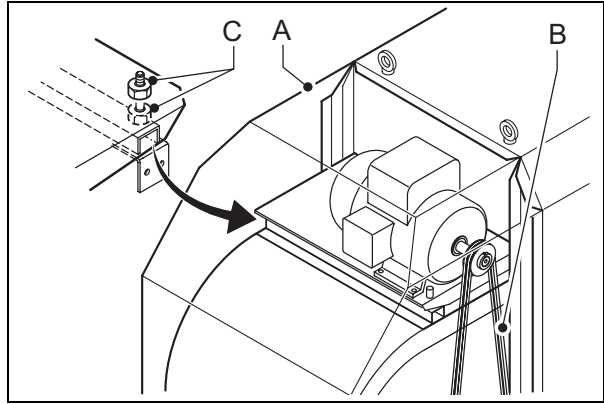


- 9 -

Heater	Burner type	A	B	C
IMA 61 US	Riello 40 F5	5/64 " to 7/64 " 2 mm to 2.5 mm	13/64 " 5 mm	5/32 " 4 mm
IMA 111 US	Riello 40 F10	5/32 " to 13/64 " 4 mm to 5 mm	13/64 " 5 mm	5/32 " 4 mm
IMA 185 US	Riello 40 F15	1/4 " to 9/32 " 6 mm to 7 mm	13/64 " 5 mm	5/32 " 4 mm



- 10 -



- 11 -

English	6
Français	15
Español	25

Contents

Safety instructions.....	6
Introduction	7
preparations	8
Operation	9
Maintenance.....	10
Troubleshooting	11
Spare parts	13
Technical information	13
Installation of accessories	14
Standards and guidelines.....	14

Preface

This manual describes the use of the heaters as mentioned on the cover. The information in this manual is important for the correct and safe use of the heater.

Identification of the product (Fig. 1)

The identification plate is attached to the side of the heater. The identification plate shows the following data:

- A Type of machine
- B Production code
- C Type of fuel
- D Air output
- E Net capacity (Hi)
- F Voltage / frequency
- G Current
- H Fuel consumption
- I Year of manufacture
- J Serial number

Service and technical support

For information about the heater, please contact your dealer or the manufacturer. Make sure you have the type and serial number of the heater.

Guarantee and liability

For the Guarantee and Liability see the terms and conditions.

Environment



Note

The heater is made of various metals and synthetic materials. The heater also contains electronic parts, which must be treated as electronic waste. Please contact your dealer for further information.

1 SAFETY INSTRUCTIONS

1.1 Icons used in the manual



Caution

Points to risk of damage to the equipment.



Warning

Points to a dangerous situation, which may result in death or serious injury.



Warning

Always switch off the power supply before carrying out any maintenance of repair work to the convector heater!



Hot

Some surfaces may be hot! Wait until these parts have cooled down before carrying out any maintenance.



Suggestions and tips to facilitate the necessary tasks or actions.

1.2 Icons on the heater (Fig. 2)

- A Hoisting instruction

1.3 Icons on the burner (Fig. 3)

- A Technical data
- B Warning
- C Warning
- D Warning

1.4 Use in conformity with destination

The heater is designed for use at construction sites, showrooms, sports halls, transit sheds, workshops, preparation areas, storage areas, greenhouses, polyurethane tunnels, spray booth heating and to dry agriculture products and bulbs.



Caution

If the heater will be installed indoors, make sure that there is proper ventilation in the room. Make sure the flue gas can only flow to an outside source separate from the room.

1.5 General instructions



Warning

- For all service and adjustments contact qualified, competent and authorized persons.
- Make sure to always follow the local standards and guidelines as well as the local requirements.
- Make sure to read this manual carefully before using the convector heater.
- Keep this document near the convector heater.
- Follow the procedures described.
- Do not lean on the convector heater.
- Do not tamper with the heater. Adjustments may only be made by specially trained personnel.
- Do not operate the unit near combustibles.
- Keep at least 7 ft away from the exhaust opening of the convector heater.
- Make sure there is sufficient air for proper combustion.
- Make sure there is no highly flammable material near the convector heater.
- Make sure that the convector heater has cooled off sufficiently and that the plug has been removed from the socket before carrying out any repair or maintenance work.

1.6 Additional safety



Warning

- Connect the IMA 61 only to a 110V 60 Hz power supply.
- Connect the IMA 111/185 only to a 220V 60 Hz power supply.
- Replace fuses only with identical spares.
- The heater must be grounded.



Warning

- Use only No.1 fuel, No.2 fuel or Diesel.
- Do not use gasoline or crankcase oils.
- Place the separate fuel tank at least 7 ft from the heater.
- Do not fill the tank while the heater operates.
- When the static pressure is not within the limitation of the heater, this can cause damage to the fan motor or heat exchanger.
- The maximum static pressure in the duct system is
 - IMA 61: 8.35 lb/ft²
 - IMA 111: 8.35 lb/ft²
 - IMA 185: 9.4 lb/ft²
- The maximum air temperature of the ducts is 240 °F.

2 INTRODUCTION

2.1 Purpose

The heaters are indirect fired heaters with photocell control and connections for room thermostat and flue with raincover. The heaters are provided with a radial air fan. The heaters are tested at sea level at a temperature of 68 °F.

2.2 Working principle

The heater is provided with two electric motors. One electric motor drives a fuel pump and the combustion air fan. The other motor drives the hot air fan. The pump draws the fuel from the tank. The hot air fan blows air into and around the burner chamber. The magnetic valve opens 40 seconds after switching on the heater and the fuel flows into the nozzle. A spark between the electrodes ignites the atomised fuel. The light from the flame activates a photocell. After the safety time the ignition switches off. After a while the digital thermostat switches on the motor of the hot air fan and blows the hot air out of the heater. The magnetic valve closes when you switch off the heater, or as a result of a fault, the flame stops. The hot air fan runs until a thermostat switches the fan off: the cooling cycle is complete. It is possible to use the fan as a blower only.

The heater has a single fuel pipe system for the fuel supply. On request the system can have a twin fuel system for the fuel supply and the fuel return.

2.3 Main components heater (Fig. 5)

- A Rain cover
- B Burner
- C Identification plate
- D Lifting eye
- E Flue connection
- F Fan (radial) with motor
- G Heat exchanger
- H Burner chamber
- I Tigerloop
- J Fuel inlet
- K Fuel filter
- L Push bar frame
- M Operating panel

2.4 Main components burner (Fig. 6)

- A Burner relay reset button
- B Burner relay
- C Magnet valve
- D Burner head with fan, nozzle, electrodes and forcer plate
- E Photocell
- F Burner motor
- G Fuel pump
- H Ignition transformer
- I Adjustment for air shutter
- J Hydraulic or electric (IMA 61) air shutter

2.5 Operating panel (Fig. 7)

- A Rotary switch:
 - 0: The heater is switched off
 - 1: Ventilate
 - 2: Ventilate automatic and heat
 - 3: Ventilate continue and heat
- B Digital thermostat
- C Reset maximum thermostat
- D Connector for room thermostat

2.6 Digital thermostat

The digital thermostat (B) has three functions:

- Fan thermostat:
The thermostat will switch on the fan as soon as the heater has reached the preset temperature.
After switching off the heater, the fan will continue to run. The fan will cool down the convector heater to prevent damage by overheating. The fan will automatically stop.
- Burner thermostat:
The burner thermostat will stop the burner as soon as the temperature of the hot air has risen too much.

When the air temperature has dropped sufficiently, the thermostat will turn on the burner again.

- Maximum thermostat:
The maximum thermostat will switch off the heater completely if an overheating problem has occurred in the convector heater. The burner cannot be switched on again until the thermostat has been reset by pressing the U key for two seconds.

2.7 Accessories

- Flue with rain cover
- Thermostat for room temperature
- Distribution head
- Hour counter
- Tube for lifting purposes

3 PREPARATIONS

3.1 Removing the packaging

1. Remove the packaging from the heater.
2. Hoist the heater for transport to the place of use.



Caution

Hoist the heater according the instruction on the stickers.

3.2 Installation

1. Make sure that the heater is placed horizontally.
2. Connect the fuel supply to the fuel filter(A), see fig. 8. Use a hose clamp. Diameter of the hose (A): 0.4 inch internal.
3. Fill the tank with fuel.



Caution

Use only No.1 fuel, No2 fuel or Diesel.



Caution

- Gas oil tends to thicken at low temperatures. This can block the filters. Add a maximum of 15% paraffin to the fuel at temperatures below 20 °F, or keep the fuel frost-proof.
- Do not place the tank in the hot-air flow.

4. Make sure there is sufficient distance between the wall and the air inlet. Minimum distance is 3.2 ft.
5. Make sure that the heated air can flow without obstruction. The minimum distance between the outlet and any obstacle is 16 ft.
6. Check the ventilation surface area: for each 3500 BTU a surface of 4 inch² is needed.

7. Check the connection of the room thermostat.
Do not remove the cap when you do not use a room thermostat.
Remove the cap to connect a room thermostat.
8. Install the flue (3.2 ft and a raincover).
9. Make sure the heater is switched off. See fig. 7.
10. Check the power supply: see the identification plate.
11. Fit a plug at the end of the cable.



Caution

Only an authorised person is allowed to put a plug at the cable.

Check the direction of rotation of the fan, see "Fan rotation check".

12. Put the plug in the socket.
13. Press the reset switch of the burner (A), see fig. 6.

3.3 Fan rotation check

1. Set the rotary switch (A) to position 1, see fig. 7. The fan starts rotating.
2. Feel if the fan blows air outside.



Caution

If the fan does not blow air outside, the stream of air does not cool the heater. The maximum thermostat will shut off the heater.

3. If the fan rotates in the wrong direction: stop the heater.
4. Disconnect the electric power and contact the dealer.

3.4 Power up

Power up for heating:

1. Open the fuel valve (B), see fig. 8.
2. Set the rotary switch (A) to position "2", see fig. 7.

The fan starts automatically after the heated air has reached a temperature of 95 °F. To start the fan direct, set the rotary switch to position "3".



Caution

Do not switch on the heater when there is no fuel, or when the connected fuel tank is empty.

3. Set the room thermostat.
The heater supplies warm air after approximately 20 seconds.

Power up for blowing:

1. Set the rotary switch (A) to position "1", see fig. 7. The fan starts blowing.

4 OPERATION

4.1 During operation



Hot

Do not touch the flue with rain cover, nor the air outlet! The flue with rain cover and the air outlet become hot during operation!

4.2 Power down

Power down for heating:

1. Set the rotary switch (A) to position "0", see fig. 7.
The magnetic valve closes and stops the fuel supply.



Caution

After you switch off the heater, the fan still rotates. The fan cools the heater to avoid damage caused by overheating. The fan stops automatically. Do not remove the plug from the socket until the heater fully stops!

2. Disconnect the electric power.

Power down for blowing:

1. Set the rotary switch (A) to position "0", see fig. 7.
2. Disconnect the electric power.

5 MAINTENANCE

5.1 Maintenance table

After each winter season, record the maintenance in the table at the back of this book.

Description	Period
	Yearly
Check the pump for leakage, corrosion and dirt.	User
Check the pump, fans, ignition, photocell, burner, electrical installation and heat exchanger for general condition.	Dealer
Check the fuel line for obstruction, corrosion and leakage.	User
Check the fan of the burner for corrosion and dirt.	User
Check the fan for corrosion and dirt.	User
Clean the filters of the pump, magnetic valve.	Dealer
Check the photocell for damage. Make sure the photocell is free from dust and sediment.	User
Check the adjustment of the electrodes.	Dealer
Check the nozzle, dust etc.	Dealer
Clean the fuel filter with white spirit.	User
Clean the heat exchanger.	Dealer
Clean the inlet/outlet.	User
Check the V-belts.	User



Hot

Do not touch the flue and air outlet!
Wait until the flue and the air are cooled down before maintenance.

5.2 General



Warning

Disconnect the electric power during maintenance!

When you store the heater for a long period:

- Let the heater burn for 3 minutes. This protects the pump against corrosion.
- Keep the burner head free from dust and sediment.
A dirty burner head causes bad combustion that makes soot and carbon and damage to the burner chamber.
- Close the valve for the fuel supply.
- Disconnect the electric power.

5.3 Adjustment air inlet and electrodes (Fig. 9)

- A Distance nozzle-electrode
- B Height nozzle centre-electrode
- C Distance of electrodes

5.4 Filter

- Remove the glass of the filter.
- Remove the filter.
- Clean the filter. Replace if necessary.
- Assembly in the opposite way.

5.5 Photocell (Fig. 10)

Check the photocell:

- Remove the rain cover (A) of the heater, see fig. 5.
- Remove the cover of the burner.
- Loosen the screw (A) of the burner relay a few turns.
- Remove the burner relay completely. The photocell is located at the front of the burner relay.
- Clean the photocell (B) if the glass has turned black.
If the glass is cracked: the photocell must be replaced by the dealer.

Install the photocell in the reverse order.

5.6 Replacing V-belt (Fig. 11)

Only for radial fans IMA 111 and IMA 185.

1. Remove the cover (A).
2. Lower the motor (B) by using the adjusting nuts (C).
3. Remove the old V-belt (D).

Heater	V-belt tension	
	Pressure	Distance
IMA 111	4.4 lb	0.3 inch
IMA 185	5.7 lb	0.35 inch

Fit new V-belts in the reverse order.



Caution

Tighten the V-belt according to the table.

6 TROUBLESHOOTING



Before you trouble shoot, make sure that the electricity is connected and the fuel tank is full.



Warning

For all service and adjustments contact qualified, competent and authorized persons.



Warning

Disconnect the electric power during repair!

6.1 Troubleshooting table

Fault		Cause	Solution	Action	
The heater does not start up.	1	The heater has no electric power.	Check the power connection.	User	
	2	The burner relay is in failure: the light burns.	Push the reset button of the burner relay.	User	
	3	A malfunction has occurred in the burner relay.	Replace the burner relay.	Dealer	
	4	The thermostat settings are incorrect.	Correct the settings.	Dealer	
	5	The room thermostat is defective.	Replace the thermostat.	User	
	6	No cap is present on the thermostat connection.	Place the cap if a room thermostat is not used.	User	
	7	The fuel pump is blocked.	Replace the fuel pump.	Dealer	
	8	The maximum thermostat stopped the heater.	Check (and correct) the airflow. Reset the heater.	User	
	9	The digital combination thermostat or sensor is defective.	Replace the digital combination thermostat or sensor.	Dealer	
	10		The main motor is overheated.	Check the air inlet. Let the motor cool down until the reset of thermo couple. See faults: 2, 3, 4, 5, 6, 8, 9.	User
				Test the motor and replace if necessary.	Dealer
	11		The capacitor of the burner motor is defective.	Replace the capacitor.	Dealer
12		The room thermostat has been placed in the hot-air flow.	Install the room thermostat out of this hot-air flow.	User	
The burner starts, but no flame is formed.	13	The pump coupling is defective.	Replace the pump coupling.	Dealer	

Fault	Cause	Solution	Action	
The burner starts, but no flame is formed.	14	The capacitor of the main motor is defective.	Replace the capacitor.	Dealer
	15	The pump pressure is not correct, or the filter in the pump is blocked.	Adjust the pump pressure using a pressure gauge.	Dealer
	16	The main filter is blocked.	Clean or replace the filter.	User
	17	The valve in the fuel filter is closed.	Open the valve.	User
	18	The fuel tank is empty.	Fill the tank.	User
	19	The vacuum of the fuel pump is too high.	Clean or replace the main fuel filter.	User
			Check the suction line for obstructions. Check the vacuum with a vacuummeter.	Dealer
	20	The nozzle is blocked or worn.	Replace the nozzle.	Dealer
	21	The electrodes are worn or the adjustment is incorrect.	Clean or replace the electrodes.	Dealer
	22	The magnetic valve does not open.	Check the electrical connection. A "click" should be heard when the heater is switched on or off.	User
			Clean or replace the magnetic valve.	Dealer
	23	The photocell is dirty or defective.	Check and clean the window. Clean the photocell. Clean the swivel disc.	User
			Test the photocell and replace if necessary.	Dealer
	24	The air inlet valve of the burner has an incorrect adjustment.	Check the air inlet valve. Measure CO ₂ and soot.	Dealer
25	The adjustment of the nozzle is incorrect or the nozzle is dirty.	Correct the adjustment of the nozzle . Clean the nozzle holder.	Dealer	
26	Bad flue or bad flue connections.	Connect the heater to a flue that is in good condition. Correct the connections.	User	
27	The ignition transformer is defective.	Test the insulation in relation to the burner. Replace the ignition transformer if necessary.	Dealer	
The burner starts badly (pulsation).	28	The fresh air supply is not sufficient.	Open a door or a window. Use an outside air suction device for the burner.	User
			Use a fresh air connection for the burner.	User

Fault		Cause	Solution	Action
The burner starts badly (pulsation).	29	Problems with the burner chamber or the heat exchanger .	Clean, repair or replace the burner chamber and heat exchanger, if necessary.	Dealer
The heater burns at short intervals.	30	The burner thermostat has an incorrect adjustment.	Adjust the burner thermostat according the specifications of the manufacturer.	Dealer
The burner produces soot.	31	The air inlet has not been set correctly.	Adjust the air inlet.	Dealer
The burner starts, the flame is built, but the burner stops.	32	The burner relay has a failure.	Repair or replace the burner relay.	Dealer
The heater cannot be switched off.	33	The magnet valve does not close.	Close the valve of the fuel supply.	User
			Repair or replace the magnet valve.	Dealer
The heater stops completely.	34	An overheating problem has occurred inside the heater.	Reset the thermostat.	User
			Reduce the resistance at the outlet.	User
			Contact the dealer if the problem is repeated.	User
The heater stops burning. The reset button is lit.	35	The suction line or main filter has an air leak.	Check and replace if necessary.	User
		The protection grill for the air intake is dirty or blocked.	Clean the grill.	User
		The heat exchanger is clogged.	Clean the heat exchanger.	Dealer
The heater produces white smoke.	36	There is air in the fuel system.	Check the fuel-supply system for leakage.	User
The heater uses too much fuel.	42	The nozzle is too big or the wrong type is used.	Check the fuel pipes.	User
			Replace the nozzle with the correct one.	Dealer

Record the maintenance details in table A in the appendix at the back of this book.

7 SPARE PARTS

For operation we advise you to have spare parts in store. See table B in the appendix.

8 TECHNICAL INFORMATION

- For the technical specifications, see table C in the appendix at the back of this book.

9 INSTALLATION OF ACCESSORIES

9.1 Flue (Fig. 4)

The heater is provided with a flue connection.

1. Fit a flue (B) to the flue connection (C).



Caution

The flue must point upwards. Never place the flue horizontal. An angle of 45° is acceptable; minimum length flue 40 inch.

2. Fit a rain cover (A) to the end of the flue.

9.2 Diameter of the flue connection

IMA 61	IMA 111	IMA 185
7 inch	8 inch	8 inch

9.3 Outlet hose

An outlet hose must be fitted to the outlet of the heater, in order to blow heated air to a remote area away from the heater.



Caution

Check the temperature resistance of the used hose.

Please contact the dealer for information about maximum lengths of outlet hoses, bends, distribution pipes and hose clamps.

9.4 Diameters of outlet hoses

Number of outlets	IMA 61	IMA 111	IMA 185
	inch	inch	inch
1	∅ 16	∅ 20	∅ 24
2	∅ 12	∅ 15	∅ 20
3	-	-	∅ 15
4	-	∅ 12	∅ 12

Back pressure of fan	IMA 61	IMA 111	IMA 185
	lb/ft ²	lb/ft ²	lb/ft ²
	8.35	8.35	9.4

9.5 Room thermostat

See the instructions of the room thermostat.

10 STANDARDS AND GUIDELINES

For the standards and guidelines, go to www.thermobile.nl.

Table des matières

Consignes de sécurité 15
 Introduction 16
 préparatifs 17
 Fonctionnement 18
 Entretien..... 19
 Dépannage 20
 Pièces détachées..... 23
 Caractéristiques techniques..... 23
 Installation des accessoires 23
 Normes et directives 24

Préface

Ce manuel d'utilisation décrit le fonctionnement des générateurs représentés sur la couverture. Pour une utilisation correcte et sans risque du générateur, veuillez lire attentivement les informations de ce manuel.

Identification du produit (Fig. 1)

La plaque signalétique est fixée sur le côté du générateur. Elle indique les données suivantes:

- A Type de machine
- B Code de production
- C Type de combustible
- D Débit d'air
- E Capacité nette (Hi)
- F Tension / fréquence
- G Courant
- H Consommation de combustible
- I Année de fabrication
- J Numéro de série

Maintenance et support technique

Pour obtenir des informations sur le générateur, veuillez contacter le revendeur ou le fabricant. Vérifiez que vous possédez bien le type de générateur et son numéro de série.

Le document de garantie et responsabilité

Concernant la garantie et la responsabilité, veuillez consulter le manuel général de sécurité.

Environnement



Remarque

Le générateur se compose de plusieurs métaux et matériaux synthétiques. Le générateur contient également des pièces électroniques qui doivent être traitées comme des déchets électroniques. Veuillez contacter votre revendeur pour en savoir plus.

1 CONSIGNES DE SÉCURITÉ

1.1 Icônes utilisées dans ce manuel



Précaution

Points de risque de dégât pour l'équipement.



Avertissement

Points de situation dangereuse pouvant occasionner des blessures graves voire mortelles.



Avertissement

Coupez toujours l'alimentation avant tout entretien ou réparation sur le convecteur !



Chaud

Certaines surfaces peuvent être chaudes ! Attendez que ces pièces se soient refroidies avant toute action d'entretien.



Suggestions et conseils pour faciliter les tâches ou actions nécessaires.

1.2 Icônes sur le générateur (Fig. 2)

- A Instructions de levage

1.3 Icônes sur le brûleur (Fig. 3)

- A Données techniques
- B Avertissement
- C Avertissement
- D Avertissement

1.4 Utilisation conforme à sa finalité

Le générateur a été conçu pour le chauffage de chantiers de construction, salles d'exposition, salles de sport, zones de transit, zones de préparation, pièces de stockage, serres, tunnels en polyuréthane et cabines de peinture ainsi que pour le séchage de produits agricoles et bulbes.



Précaution

Si le générateur est installé à l'intérieur, assurez-vous que la pièce est correctement ventilée. Assurez-vous que les gaz de refoulement peuvent uniquement passer dans une source externe à la pièce.

1.5 Consignes générales



Avertissement

- Pour tout entretien ou réglage, contactez des personnes qualifiées, compétentes et agréées.
- Assurez-vous de toujours respecter les normes et directives locales ainsi que les obligations locales.
- Assurez-vous de lire ce manuel avec soin avant de commencer à utiliser le convecteur.
- Conservez ce document près du convecteur.
- Suivez les procédures décrites.
- Ne montez pas sur le convecteur.
- Ne modifiez pas le convecteur. Les réglages doivent être effectués uniquement par un personnel spécialement formé.
- N'utilisez pas l'unité à proximité de combustibles.
- Restez à au moins 7 ft de l'ouverture d'échappement du convecteur.
- Veillez à ce qu'il y ait assez d'air frais pour que la combustion soit satisfaisante.
- Assurez-vous qu'aucun matériau inflammable ne se trouve à proximité du convecteur.
- Assurez-vous que le convecteur a refroidi suffisamment et que le bouchon a été retiré de la douille avant tout entretien ou réparation.

1.6 Sécurité additionnelle



Avertissement

- Branchez l'IMA 61 uniquement à une alimentation 110V 60 Hz.
- Branchez l'IMA 111/185 uniquement à une alimentation 220V 60 Hz.
- Remplacez les fusibles uniquement à l'identique.
- Le générateur doit être mis à la terre.



Avertissement

- Utilisez uniquement du carburant N° 1, N° 2 ou du diesel.
 - N'utilisez pas d'essence ou d'huiles de carter.
 - Placez le réservoir de combustible à au moins 7 ft du convecteur.
 - Ne remplissez pas le réservoir si le générateur marche.
 - Lorsque la pression statique ne respecte pas les limitations du convecteur, le moteur du ventilateur ou l'échangeur de chaleur peuvent être endommagés.
- La pression statique maximale du circuit est de
 - IMA 61: 8.35 lb/ft²
 - IMA 111: 8.35 lb/ft²
 - IMA 185: 9.4 lb/ft²
 - La température d'air maximum du circuit est de 240 °F.

2 INTRODUCTION

2.1 Objectif

Ces appareils sont des générateurs à mise à feu indirecte équipés d'un émetteur à photocréelle et de branchements pour un thermostat d'ambiance et un tuyau de cheminée avec capuchon anti-pluie.

Les générateurs sont équipés d'une ventilateur d'air radial.

Les générateurs sont testés à une altitude 0 et à une température de 68 °F.

2.2 Principe de fonctionnement

Le générateur comporte deux moteurs électriques. Un moteur électrique entraîne un ventilateur et une pompe à combustible. L'autre moteur entraîne le ventilateur d'air chaud. La pompe aspire le carburant du réservoir. Le ventilateur d'air chaud envoie l'air à l'intérieur et autour de la chambre de combustion. La vanne électromagnétique s'ouvre 40 secondes après avoir allumé le générateur et laisse passer le combustible dans le gicleur. Une étincelle se produit entre les électrodes et enflamme le carburant vaporisé. La lumière provenant de la flamme active alors la photocréelle. L'inflammation s'arrête automatiquement après un délai de sécurité.

Après un moment, un thermostat numérique enclenche le moteur du ventilateur d'air chaud pour souffler l'air chaud hors du générateur.

La vanne électromagnétique se ferme lorsque vous éteignez le générateur et lorsqu'une erreur se produit et la flamme s'éteint.
Le ventilateur d'air chaud continue de fonctionner jusqu'à ce qu'un thermostat l'éteigne : le cycle de refroidissement est alors terminé.
Il est aussi possible d'utiliser le ventilateur uniquement comme soufflerie.
Le générateur comporte un seul circuit de combustible pour l'alimentation en combustible. À la demande, le système peut recevoir un circuit de combustible double pour l'alimentation et le retour du combustible.

2.3 Composants principaux du générateur (Fig. 5)

- A Capuchon anti-pluie
- B Brûleur
- C Plaque signalétique
- D Œillet de levage
- E Tuyau de cheminée
- F Ventilateur (radial) avec moteur
- G Échangeur de chaleur
- H Chambre de combustion
- I Tigerloop
- J Admission de combustible
- K Filtre à combustible
- L Châssis de barre d'entraînement
- M Panneau de commande

2.4 Composants principaux du brûleur (Fig. 6)

- A Bouton de réinitialisation du relais du brûleur
- B Relais du brûleur
- C Vanne électromagnétique
- D Tête du brûleur avec ventilateur, gicleur, électrodes et plateau de force
- E Cellule photoélectrique
- F Moteur de brûleur
- G Pompe à combustible
- H Transformateur d'allumage
- I Réglage de volet d'air
- J Volet d'air hydraulique ou électrique (IMA 61)

2.5 Panneau de commande (Fig. 7)

- A Interrupteur rotatif :
 - 0: Le générateur est arrêté
 - 1: Ventilation
 - 2: Ventilation automatique et chauffage
 - 3: Ventilation continue et chauffage
- B Thermostat numérique
- C Réinitialisation de thermostat de maximum
- D Branchement pour thermostat d'ambiance

2.6 Thermostat numérique

Le thermostat numérique (B) a trois fonctions :

- Thermostat ventilateur :
Le thermostat enclenche le ventilateur dès que le générateur a atteint la température définie.
Une fois le générateur coupé, le ventilateur marche encore. Le ventilateur refroidit le convecteur pour éviter les dégâts par surchauffe. Le ventilateur se coupe automatiquement.
- Thermostat brûleur :
Le thermostat du brûleur coupe le brûleur dès que la température de l'air chaud s'élève trop.
Lorsque la température de l'air a suffisamment baissé, le thermostat enclenche à nouveau le brûleur.
- Thermostat maximum :
Le thermostat maximum coupe le générateur complètement en cas de surchauffe interne. Le brûleur ne peut être enclenché à nouveau tant que le thermostat n'a pas été réinitialisé en appuyant pendant deux secondes sur la touche U.

2.7 Accessoires

- Tuyau de cheminée avec capuchon anti-pluie
- Thermostat d'ambiance
- Tête de distribution
- Horomètre
- Tuyau pour levage

3 PRÉPARATIFS

3.1 Enlever l'emballage

1. Enlevez l'emballage du générateur.
2. Levez le générateur pour l'amener à l'endroit où il sera utilisé.



Précaution

Levez le générateur selon les instructions des autocollants.

3.2 Installation

1. Veillez à bien placer le générateur horizontalement.
2. Connectez l'alimentation en combustible au filtre à combustible (A) voir fig.8. Utilisez une fixation.
Diamètre de flexible (A) : 0.4 pouce interne.
3. Remplissez le réservoir de combustible.



Précaution

Utilisez uniquement du carburant N° 1, N° 2 ou du diesel.

**Précaution**

- Le diesel a tendance à s'épaissir à basses températures. Ceci peut obstruer les filtres. Ajoutez tout au plus 15 % de paraffine au combustible lorsque la température est inférieure à 20 °F ou protégez le combustible du gel.
- Ne placez pas le réservoir dans le flux d'air chaud.

4. Veillez à ce que la distance entre le mur et l'admission d'air soit suffisante. La distance minimum est de 3.2 ft.
5. Veillez également à ce que le flux d'air réchauffé ne soit pas obstrué. La distance minimum entre la sortie et tout obstacle est de 16 ft.
6. Vérifiez la surface de ventilation: pour chaque 3500 BTU, comptez une surface de 4 inch².
7. Vérifiez le branchement du thermostat d'ambiance.
N'ôtez pas le bouchon si vous n'utilisez pas de thermostat d'ambiance.
Si vous souhaitez connecter un thermostat d'ambiance au générateur, ôtez le bouchon.
8. Installez le tuyau de cheminée (3.2 ft de long et un capuchon anti-pluie)
9. Veillez à ce que le générateur soit coupé. Voir fig. 7.
10. Vérifiez l'alimentation électrique : pour cela, consultez la plaque signalétique.
11. Fixez une prise au bout du câble.

**Précaution**

Seule une personne autorisée peut placer une prise au bout du câble.

Vérifiez le sens de rotation du ventilateur, voir "Contrôle de rotation du ventilateur".

12. Branchez la prise électrique.
13. Appuyez sur l'interrupteur de réinitialisation du brûleur (A), voir fig. 6.

3.3 Contrôle de rotation du ventilateur

1. Positionnez l'interrupteur rotatif (A) sur 1, voir fig. 7. Le ventilateur commence à tourner.
2. Sentez si le ventilateur souffle de l'air vers l'extérieur.

**Précaution**

Si le ventilateur ne souffle pas d'air vers l'extérieur, le flux d'air ne refroidit pas le générateur.
Le thermostat de maximum coupe le générateur.

3. Si le ventilateur tourne dans le mauvais sens : coupez le générateur.
4. Débranchez l'alimentation électrique et contactez le revendeur.

3.4 Mise en marche

Mise en marche du chauffage :

1. Ouvrir la vanne de combustible (B), voir la fig. 8.
2. Positionnez l'interrupteur rotatif (A) sur 2, voir fig. 7.
Le ventilateur se lance automatiquement une fois que l'air chauffé atteint la température de 95 °F. Pour lancer directement le ventilateur, positionnez l'interrupteur rotatif sur "3".

**Précaution**

Ne mettez pas le générateur en marche en l'absence de combustible ou si le réservoir de combustible connecté est vide.

3. Réglez le thermostat d'ambiance.
Le générateur produit de l'air chaud dans les 20 secondes suivant sa mise en marche.

Mise en marche de la soufflerie :

1. Positionnez l'interrupteur rotatif (A) sur 1, voir fig. 7. Le ventilateur commence à souffler.

4 FONCTIONNEMENT**4.1 Au cours du fonctionnement****Chaud**

Ne touchez ni au tuyau de cheminée avec capuchon anti-pluie ni à la sortie de l'air ! Ces deux éléments deviennent brûlants au cours du fonctionnement !

**4.2 Arrêt**

Arrêt du chauffage :

1. Positionnez l'interrupteur rotatif (A) sur 0, voir fig. 7.
La vanne électromagnétique se ferme et stoppe l'alimentation en combustible.

**Précaution**

Une fois le générateur éteint, le ventilateur continue de fonctionner. Le ventilateur refroidit le générateur pour éviter toute surchauffe pouvant l'endommager. Le ventilateur s'arrête automatiquement.
Ne débranchez pas la prise avant l'arrêt complet du générateur !

2. Débranchez l'alimentation électrique.

Arrêt de la soufflerie :

1. Positionnez l'interrupteur rotatif (A) sur 0, voir fig. 7.
2. Débranchez l'alimentation électrique.

5 ENTRETIEN

5.1 Tableau d'entretien

Après chaque hiver, inscrivez les opérations d'entretien dans le tableau qui se trouve au dos de ce manuel.

Description	Fréquence
	Annuel
Vérifiez si la pompe fuit ou présente des traces de corrosion ou de salissures.	Utilisateur
Vérifiez l'état général de la pompe, des ventilateurs, de l'allumage, de la cellule photoélectrique, du brûleur, de l'installation électrique et de l'échangeur de chaleur.	Revendeur
Vérifiez si les conduites de carburant présentent des traces de blocage, corrosion ou fuite.	Utilisateur
Vérifiez si le ventilateur du brûleur est corrodé ou sale.	Utilisateur
Vérifiez si le ventilateur est corrodé ou sale.	Utilisateur
Nettoyez les filtres de la pompe et de la vanne électromagnétique.	Revendeur
Vérifiez que la photocellule n'est pas endommagée. Vérifiez qu'elle ne contient pas de poussière ou sédiments.	Utilisateur
Vérifiez le réglage des électrodes.	Revendeur
Vérifiez que le gicleur ne contient pas de poussière, etc.	Revendeur
Nettoyez le filtre de combustible avec du white spirit.	Utilisateur
Nettoyez l'échangeur de chaleur.	Revendeur
Nettoyez l'admission et la sortie.	Utilisateur
Vérifier les courroies trapézoïdales.	Utilisateur



Chaud

Ne touchez ni au tuyau de cheminée ni à la sortie d'air !
Avant tout entretien, attendez qu'ils aient refroidi.

5.2 Général



Avertissement

Débranchez l'alimentation électrique pendant les travaux d'entretien !

Si vous rangez le générateur pour une période prolongée :

1. Laissez le générateur fonctionner pendant 3 minutes pour éviter que la pompe se corrode.
2. Enlevez toute poussière ou sédiment de la tête du brûleur.
Si la tête du brûleur n'est pas propre, elle pourrait entraîner une mauvaise combustion produisant de la suie et du monoxyde de carbone. La chambre de combustion s'en trouverait endommagée.
3. Fermez la vanne d'alimentation en combustible.
4. Débranchez l'alimentation électrique.

5.3 Réglage de l'admission d'air et des électrodes (Fig. 9)

- A Distance gicleur-électrode
- B Hauteur électrode centrale de gicleur
- C Distance des électrodes

5.4 Filtre

1. Enlevez le verre du filtre.
2. Retirez le filtre.
3. Nettoyez le filtre. Remplacez au besoin.
4. Assemblez en suivant la procédure inverse.

5.5 Cellule photoélectrique (Fig. 10)

Vérification de la cellule photoélectrique:

1. Retirez le capuchon anti-pluie (A) du générateur, voir fig. 5.
2. Enlevez le couvercle du brûleur.
3. Desserrez la vis (A) du relais du brûleur de quelques tours.
4. Retirez complètement le relais du brûleur. La cellule photoélectrique se trouve à l'avant du relais du brûleur.
5. Nettoyez la cellule photoélectrique (B) si le verre est noirci.

Si le verre est fissuré: le revendeur doit vous remplacer la photocellule.

Installez la photocellule dans l'ordre inverse.

5.6 Remplacement de la courroie trapézoïdale (Fig. 11)

Uniquement pour les ventilateurs radiaux IMA 111 et IMA 185.

1. Retirez le cache (A).
2. Abaissez le moteur (B) en dévissant les écrous de réglage (C).
3. Enlevez les vieilles courroies trapézoïdales (D).

Générateur	Tension de la courroie trapézoïdale	
	Pression	Distance
IMA 111	4.4 lb	0.3 inch
IMA 185	5.7 lb	0.35 inch

Installez les courroies trapézoïdales neuves dans l'ordre inverse.



Précaution

Tendez les courroies trapézoïdales selon le tableau.

6

DÉPANNAGE



Avant d'évaluer une panne, vérifiez que l'appareil est bien mis sous tension et que le réservoir est plein.



Avertissement

Pour tout entretien ou réglage, contactez des personnes qualifiées, compétentes et agréées.



Avertissement

Pendant les opérations de réparation, n'oubliez pas de débrancher l'alimentation électrique!

6.1 Tableau de dépannage

Défaillance	Cause	Solution	Action	
Le générateur ne démarre pas.	1	Le générateur n'est pas sous tension.	Vérifiez le branchement électrique.	Utilisateur
	2	Le relais du brûleur ne fonctionne pas : la flamme brûle.	Appuyez sur le bouton de réinitialisation du relais du brûleur.	Utilisateur
	3	Dysfonctionnement du relais du brûleur.	Remplacez le relais du brûleur.	Revendeur
	4	Le réglage du thermostat n'est pas correct.	Corrigez le réglage.	Revendeur
	5	Le thermostat d'ambiance est défectueux.	Remplacez le thermostat.	Utilisateur
	6	Le branchement du thermostat ne dispose d'aucun capuchon.	Placez le capuchon si le thermostat d'ambiance n'est pas utilisé.	Utilisateur
	7	La pompe à combustible est bloquée.	Remplacez la pompe à combustible.	Revendeur
	8	Le thermostat de maximum a coupé le générateur.	Vérifiez (et corrigez) le flux d'air. Réinitialisez le générateur.	Utilisateur
	9	Le thermostat de combinaison numérique ou le capteur est défectueux.	Remplacez le thermostat de combinaison numérique ou le capteur.	Revendeur

Défaillance		Cause	Solution	Action
Le générateur ne démarre pas.	10	Surchauffe du moteur principal.	Vérifiez l'admission d'air. Laissez le moteur refroidir jusqu'à la réinitialisation du thermocouple. Voir défaillances : 2, 3, 4, 5, 6, 8, 9.	Utilisateur
			Testez et remplacez le moteur si nécessaire.	Revendeur
	11	Le condensateur du moteur du brûleur est défectueux.	Remplacez le condensateur.	Revendeur
	12	Le thermostat d'ambiance a été placé dans le flux d'air chaud.	Écartez le thermostat d'ambiance du flux d'air chaud.	Utilisateur
Le brûleur se lance mais aucune flamme ne se forme.	13	L'accouplement de la pompe est défectueux.	Remplacez l'accouplement de la pompe.	Revendeur
Le brûleur se lance mais aucune flamme ne se forme.	14	Le condensateur du moteur principal est défectueux.	Remplacez le condensateur.	Revendeur
	15	La pression de pompe est incorrecte ou le filtre dans la pompe est bouché.	Réglez la pression de la pompe avec un manomètre.	Revendeur
	16	Le filtre principal est bouché.	Nettoyez ou changez le filtre.	Utilisateur
	17	La vanne du filtre à combustible est fermée.	Ouvrez la vanne.	Utilisateur
	18	Le réservoir de combustible est vide.	Remplissez le réservoir.	Utilisateur
	19	Le vide de la pompe à combustible est trop élevé.	Nettoyez ou changez le filtre à combustible principal.	Utilisateur
			Vérifiez si la conduite d'aspiration est bloquée. Vérifiez le vide avec un vacuomètre.	Revendeur
	20	Le gicleur est bloqué ou usé.	Remplacez le gicleur.	Revendeur
	21	Les électrodes sont usées ou le réglage incorrect.	Nettoyez ou changez les électrodes.	Revendeur
	22	La vanne électromagnétique ne s'ouvre pas.	Vérifiez le branchement électrique. Vous devez entendre un clic lorsque le générateur est mis en marche/arrêt	Utilisateur
Nettoyez ou changez la vanne électromagnétique.			Revendeur	

Défaillance		Cause	Solution	Action
Le brûleur se lance mais aucune flamme ne se forme.	23	La cellule photoélectrique est sale ou défectueuse.	Vérifiez et nettoyez le verre. Nettoyez la cellule photoélectrique. Nettoyez le volet du gicleur.	Utilisateur
			Testez la cellule photoélectrique et remplacez au besoin.	Revendeur
	24	La soupape d'admission d'air du brûleur n'est pas correctement réglée.	Vérifiez la soupape d'admission d'air. Mesurez le CO ₂ et la suie.	Revendeur
	25	Le réglage du gicleur est incorrect ou le gicleur est sale.	Corrigez le réglage du gicleur. Nettoyez le support du gicleur.	Revendeur
	26	Tuyau de cheminée ou ses raccords incorrects.	Connectez le générateur à un tuyau de cheminée en bon état. Corrigez les connexions.	Utilisateur
Le brûleur démarre mal (pulsation).	28	La ventilation ambiante est insuffisante.	Ouvrez une porte ou une fenêtre. Utilisez un dispositif d'aspiration de l'air extérieur pour le brûleur.	Utilisateur
			Utilisez une connexion d'air frais pour le brûleur.	Utilisateur
Le brûleur démarre mal (pulsation).	29	Problèmes avec la chambre de combustion ou l'échangeur de chaleur.	Nettoyez, réparez ou remplacez la chambre de combustion ou l'échangeur de chaleur, si nécessaire.	Revendeur
Le brûleur brûle par intermittence.	30	Le thermostat du brûleur est mal réglé.	Réglez le thermostat du brûleur selon les spécifications du fabricant.	Revendeur
Le brûleur produit de la suie.	31	L'admission d'air a été mal réglée.	Réglez l'admission d'air.	Revendeur
Le brûleur démarre, la flamme grandit mais le brûleur s'arrête.	32	Le relais du brûleur est défectueux.	Réparez ou remplacez le relais du brûleur.	Revendeur
Impossible d'éteindre le générateur.	33	La vanne électromagnétique ne se ferme pas.	Fermez la vanne d'alimentation en combustible.	Utilisateur
			Réparez ou changez la vanne électromagnétique.	Revendeur
Le générateur s'arrête complètement.	34	Problème de surchauffe dans le rateur.	Réinitialisez le thermostat.	Utilisateur
			Réduisez la résistance en sortie.	Utilisateur
			Contactez le revendeur si l'erreur se répète.	Utilisateur

Défaillance		Cause	Solution	Action
Le générateur ne brûle plus. Le bouton de réenclenchement est allumé.	35	Il y a une fuite d'air dans le conduit d'aspiration ou le filtre principal.	Vérifiez et remplacez si nécessaire.	Utilisateur
		La grille de protection de l'admission d'air est encrassée ou bloquée.	Nettoyez la grille.	Utilisateur
		L'échangeur de chaleur est bouché.	Nettoyez l'échangeur de chaleur.	Revendeur
Le générateur émet une fumée blanche.	36	Le circuit de combustible contient de l'air.	Vérifiez si le circuit d'alimentation en combustible fuit.	Utilisateur
Le générateur consomme trop de combustible.	42	Le gicleur est trop grand ou vous n'utilisez pas le bon modèle de gicleur.	Vérifiez les tuyaux du circuit à combustible.	Utilisateur
			Enlevez le gicleur installé et remplacez-le par le bon modèle.	Revendeur

Conservez les informations d'entretien dans le tableau A qui se trouve en annexe, au dos de ce manuel.

7 PIÈCES DÉTACHÉES

Pour assurer l'exploitation, nous vous conseillons d'avoir des pièces de rechange en stock. Voir le tableau B en annexe.

8 CARACTÉRISTIQUES TECHNIQUES

- Pour consulter les caractéristiques techniques, veuillez vous reporter au tableau C en annexe, au dos de ce manuel.

9 INSTALLATION DES ACCESSOIRES

9.1 Tuyau de cheminée (Fig. 4)

Le générateur est vendu avec un branchement pour le tuyau de cheminée.

- Branchez le tuyau de cheminée (B) dans le raccord de tuyau de cheminée (C) du générateur.



Précaution

Le tuyau de cheminée doit être dirigé vers le haut. Ne positionnez jamais le tuyau de cheminée horizontalement. Un angle de 45° est acceptable. La longueur minimale du tuyau de cheminée est de 1000 mm.

- Placez le capuchon anti-pluie (A) à l'extrémité du tuyau de cheminée en cas d'usage à l'extérieur.

9.2 Diamètre du raccord de tuyau de cheminée

IMA 61	IMA 111	IMA 185
7 inch	8 inch	8 inch

9.3 Gaine d'air

Une gaine d'air doit être installée à la sortie du générateur pour évacuer l'air chaud loin du générateur.



Précaution

Vérifiez la résistance thermique de la gaine utilisée.

Veillez contacter votre revendeur pour vous renseigner sur les longueurs maximales des gaines, des têtes de distribution et pièces de réparation et des colliers de serrage pour gaines.

9.4 Diamètres de flexibles de sortie

Nombre de sorties	IMA 61	IMA 111	IMA 185
	inch	inch	inch
1	Ø 16	Ø 20	Ø 24
2	Ø 12	Ø 15	Ø 20
3	-	-	Ø 15
4	-	Ø 12	Ø 12

Contre-pression du ventilateur	IMA 61	IMA 111	IMA 185
	lb/ft ²	lb/ft ²	lb/ft ²
	8.35	8.35	9.4

9.5 Thermostat d'ambiance

Consultez les instructions du thermostat ambiance.

10 NORMES ET DIRECTIVES

Pour les normes et directives, rendez-vous sur le site www.thermobile.nl.

Índice

Instrucciones de seguridad 25
 Introducción 26
 preparaciones 28
 Funcionamiento 29
 Mantenimiento 29
 Localización de averías 30
 Piezas de repuesto 33
 Información técnica 33
 Instalación de accesorios 34
 Normas y directivas 34

Prefacio

En este manual se describe el uso de los generadores de aire caliente que aparecen en la portada. La información de este manual es importante para el uso correcto y seguro del generador.

Identificación del producto (Fig. 1)

La placa de identificación está fijada en el lateral del generador. En la placa de identificación figuran los siguientes datos:

- A Modelo de máquina
- B Código de fabricación
- C Tipo de combustible
- D Salida de aire
- E Capacidad neta (Hi)
- F Tensión / frecuencia
- G Corriente
- H Consumo de combustible
- I Año de fabricación
- J Número de serie

Servicio y asistencia técnica

Para obtener información sobre el generador de aire caliente, póngase en contacto con su distribuidor o con el fabricante. Procure tener a mano el modelo y el número de serie del generador.

Garantía y responsabilidad

Para conocer las Condiciones de garantía y responsabilidad, consulte el Manual de seguridad general.

Medio ambiente



Nota

El generador de aire caliente está fabricado de diversos materiales metálicos y sintéticos. El generador también contiene componentes electrónicos, que tienen que tratarse como desechos electrónicos. Póngase en contacto con su distribuidor para obtener más información.

1 INSTRUCCIONES DE SEGURIDAD

1.1 Iconos empleados en el manual

Precaución

Apunta a un riesgo de daños al equipo



Advertencia

Apunta a una situación peligrosa, que puede provocar la muerte o lesiones graves.



Advertencia

¡Desconecte siempre el suministro eléctrico antes de realizar cualquier trabajo de mantenimiento o reparación al generador de aire caliente por convección!



Caliente

¡Algunas superficies pueden estar calientes! Espere hasta que estos componentes se hayan enfriado antes de realizar el mantenimiento.



Sugerencias y consejos para facilitar las tareas o acciones necesarias.

1.2 Iconos en el generador (Fig. 2)

- A Instrucción de elevación

1.3 Iconos en el quemador (Fig. 3)

- A Datos técnicos
- B Advertencia
- C Advertencia
- D Advertencia

1.4 Uso en función del lugar de destino

El generador se ha diseñado para su uso en obras de construcción, salas de exposición, pabellones deportivos, naves de tránsito, talleres, zonas de preparación, almacenes, invernaderos, túneles de poliuretano, para calentar cabinas de pulverización así como para secar productos agrícolas y bulbos.

Precaución

Si va a instalar el generador de aire caliente por convección en el interior, asegúrese de que haya la suficiente ventilación en el recinto. Asegúrese de que los gases de la chimenea puedan salir únicamente a una fuente exterior independiente del recinto.



1.5 Instrucciones generales



Advertencia

- Para todos los ajustes y tareas de mantenimiento, póngase en contacto con personal con la debida formación, competencia y autorización.
- Asegúrese de seguir siempre la normativa y reglamentos, así como los requisitos locales.
- Asegúrese de leer detenidamente el presente manual antes de utilizar el generador de aire caliente por convección.
- Mantenga este documento cerca del generador de aire caliente por convección.
- Siga los procedimientos descritos.
- No se apoye en el generador de aire caliente por convección.
- No manipule el generador de aire caliente por convección. Los ajustes únicamente deben ser realizados por personal con formación específica.
- No ponga en funcionamiento la unidad cerca de combustibles.
- Mantenga una distancia no inferior a 7 ft desde la abertura de escape del generador de aire caliente por convección.
- Asegúrese de que haya suficiente aire fresco para garantizar una combustión adecuada.
- Asegúrese de que no haya material altamente inflamable cerca del generador de aire caliente por convección.
- Asegúrese de que el generador de aire caliente por convección se haya enfriado lo suficiente y de que se haya quitado el enchufe de la toma de corriente antes de realizar trabajos de reparación o mantenimiento.

1.6 Seguridad adicional



Advertencia

- Conecte el IMA 61 sólo a un suministro de alimentación de 110V 60 Hz.
- Conecte el IMA 111/185 sólo a un suministro de alimentación de 220V 60 Hz.
- Sustituya los fusibles por repuestos idénticos.
- El generador debe conectarse a tierra.



Advertencia

- Utilice únicamente fuel-oil nº 1, nº 2 o gasóleo.
- No utilice gasolina o aceites para el cárter.
- Coloque el depósito de combustible separado al menos 7 ft del generador de aire caliente por convección.
- No llene el depósito mientras el generador esté en funcionamiento.
- Cuando la presión estática no está dentro de los límites del generador de aire caliente por convección, ésta puede provocar daños al motor del ventilador o al intercambiador de calor.
- La presión estática máxima en el sistema de conductos es
 - IMA 61: 8.35 lb/ft²
 - IMA 111: 8.35 lb/ft²
 - IMA 185: 9.4 lb/ft²
- La temperatura de aire máxima de los conductos es 240 °F.

2 INTRODUCCIÓN

2.1 Propósito

Los generadores de aire caliente funcionan con un sistema de calentamiento indirecto que incluye control mediante células fotoeléctricas y conexiones para el termostato de recinto y la chimenea.

Los generadores están provistos de un ventilador de aire radial.

Los generadores fueron probados a nivel del mar y a una temperatura de 68 °F.

2.2 Principio de funcionamiento

El generador está provisto de dos motores eléctricos. Un motor eléctrico acciona una bomba de combustible y el ventilador de aire de combustión. El otro motor acciona el ventilador

de aire caliente. La bomba toma el combustible del depósito. El ventilador de aire caliente impulsa el aire al interior y alrededor de la cámara del quemador. La válvula electromagnética se abre 40 segundos después de encender el generador y el combustible fluye hacia la boquilla. Una chispa entre los electrodos enciende el combustible atomizado. A su vez, la luz de la llama activa una célula fotoeléctrica. Una vez transcurrido el tiempo de seguridad, se apaga la ignición.

Tras unos instantes, el termostato digital enciende el motor del ventilador de aire caliente y sopla el aire caliente al exterior del generador. La válvula electromagnética se cierra al apagarse el generador, o como resultado de un fallo, y la llama se apaga.

El ventilador de aire caliente sigue funcionando hasta que un termostato lo apaga: esto significa que el ciclo de refrigeración ha finalizado.

Es posible utilizar el ventilador sólo como un soplador.

El generador tiene un sistema de conducto de combustible sencillo para el suministro de combustible. A petición, el sistema puede tener un sistema de combustible doble para el suministro de combustible y el retorno de combustible.

2.3 Principales componentes del generador (Fig. 5)

- A Cubierta para lluvia
- B Quemador
- C Placa de identificación
- D Orejeta de elevación
- E Conexión de la chimenea
- F Ventilador (radial) con motor
- G Intercambiador de calor
- H Cámara del quemador
- I Tigerloop
- J Admisión de combustible
- K Filtro de combustible
- L Arco de empuje
- M Panel de manejo

2.4 Principales componentes del quemador (Fig. 6)

- A Botón de restablecimiento del relé del quemador
- B Relé del quemador
- C Válvula electromagnética
- D Cabezal del quemador con ventilador, boquilla, electrodo y placa empujadora
- E Célula fotoeléctrica
- F Motor del quemador
- G Bomba de combustible
- H Transformador de encendido

- I Ajuste para el obturador de aire
- J Obturador de aire hidráulico o eléctrico (IMA 61)

2.5 Panel de manejo (Fig. 7)

- A Interruptor giratorio:
 - 0: el generador está apagado
 - 1: ventilación
 - 2: ventilación automática y calor
 - 3: ventilación continua y calor
- B Termostato digital
- C Restablecimiento de termostato máximo
- D Conector para el termostato de recinto

2.6 Termostato digital

El termostato digital (B) tiene tres funciones:

- Termostato del ventilador:

El termostato conectará el ventilador cuando el generador haya alcanzado la temperatura predeterminada.

Tras desconectar el generador, el ventilador continuará funcionando. El ventilador enfriará el generador de aire caliente por convección para evitar daños por sobrecalentamiento. El ventilador se parará automáticamente.
- Termostato del quemador:

El termostato del quemador parará el quemador cuando la temperatura del aire caliente se haya elevado demasiado.

Cuando la temperatura de aire caliente haya bajado lo suficiente, el termostato encenderá de nuevo el quemador.
- Termostato máximo:

El termostato máximo desconectará el generador totalmente si se produce un problema de sobrecalentamiento en éste. El quemador no puede conectarse de nuevo hasta que el termostato digital se haya restablecido con las dos teclas de flecha del termostato.

2.7 Accesorios

- Chimenea con cubierta para lluvia
- Termostato del recinto
- Cabezal de distribución
- Cuentahoras
- Tubo para elevación

3 PREPARACIONES

3.1 Retirada del embalaje

1. Retire el embalaje del generador.
2. Eleve el generador para transportarlo al lugar de uso.



Precaución

Eleve el generador según las instrucciones de los adhesivos.

3.2 Instalación

1. Asegúrese de que el generador se encuentre en posición horizontal.
2. Conecte el suministro de combustible al filtro de combustible (A), consulte la fig. 8. Utilice una abrazadera de manguera. Diámetro de la manguera (A): 0.4 inch interno.
3. Llene el depósito de combustible.



Precaución

Utilice únicamente fuel-oil nº 1, nº 2 o gasóleo.



Precaución

- El gasoil tiende a espesarse a bajas temperaturas. Esto puede obstruir los filtros. Añada un máximo de 15 % de queroseno al combustible a temperaturas inferiores a 20 °F o mantenga el combustible alejado de temperaturas bajo cero.
- No coloque el depósito en el flujo de aire caliente.

4. Asegúrese de que haya suficiente distancia entre la pared y la admisión de aire. La distancia mínima es de 3.2 ft.
5. Asegúrese de que el aire calentado pueda fluir sin obstrucciones. La distancia mínima entre la salida y cualquier obstáculo es de 16 ft.
6. Compruebe el área de superficie de ventilación: por cada 3500 BTU se necesita una superficie de 4 inch².
7. Compruebe la conexión del termostato del recinto.
No quite la tapa si no utiliza un termostato de recinto.
Retire la tapa para conectar un termostato de recinto.
8. Monte la chimenea (3.2 ft y una tapa para lluvia).
9. Asegúrese de que el generador se desconecte. Consulte la fig. 7.
10. Compruebe el suministro de alimentación: consulte la placa de identificación.

11. Coloque un enchufe en el extremo del cable.



Precaución

Únicamente una persona autorizada tiene permiso para poner un enchufe en el cable.

Compruebe la dirección de rotación del ventilador, consulte "Comprobación de la rotación del ventilador".

12. Inserte el enchufe en la toma de corriente.
13. Pulse el interruptor de restablecimiento del quemador (A), consulte la fig. 6.

3.3 Comprobación de la rotación del ventilador

1. Sitúe el interruptor giratorio (A) en la posición 1, consulte la fig. 7. El ventilador empieza a girar.
2. Observe si el ventilador sopla aire al exterior.



Precaución

Si el ventilador no sopla aire al exterior, el flujo de aire no refrigera el generador. El termostato máximo apagará el generador.

3. Si el ventilador gira en la dirección incorrecta: detenga el generador.
4. desconecte la alimentación eléctrica y contacte con el distribuidor.

3.4 Encendido

Encendido para calentamiento:

1. Abra la válvula de combustible (B), consulte la fig. 8.
2. Sitúe el interruptor giratorio (A) en la posición "2", consulte la fig. 7.
El ventilador arranca automáticamente una vez que el aire calentado alcanza una temperatura de 95 °F. Para arrancar directamente el ventilador, sitúe el interruptor giratorio en la posición "3".



Precaución

No conecte el generador si no hay combustible o si el depósito de combustible conectado está vacío.

3. Ajuste el termostato de recinto.
El generador desprende aire caliente después de aproximadamente 20 segundos.

Encendido para soplado:

1. Sitúe el interruptor giratorio (A) en la posición "1", consulte la fig. 7. El ventilador empieza a soplar.

4 FUNCIONAMIENTO

4.1 Durante el funcionamiento



Caliente

No toque la chimenea con la cubierta para lluvia, ni la salida de aire. La chimenea con la cubierta para lluvia y la salida de aire se calientan durante el funcionamiento.

4.2 Apagado

Apagado para calentamiento:

1. Sitúe el interruptor giratorio (A) en la posición "0", consulte la fig. 7.

La válvula electromagnética se cierra y detiene el suministro de combustible.



Precaución

Tras apagar el generador, el ventilador sigue girando un tiempo. De este modo, el ventilador enfría el generador para evitar daños provocados por un sobrecalentamiento. Después, se detiene automáticamente. No retire el enchufe de la toma de corriente hasta que el generador se detenga por completo.

2. Desconecte la alimentación eléctrica.

Apagado para soplado:

1. Sitúe el interruptor giratorio (A) en la posición "0", consulte la fig. 7.
2. Desconecte la alimentación eléctrica.

5 MANTENIMIENTO

5.1 Tabla de mantenimiento

Después de cada temporada de invierno, registre la operaciones de mantenimiento en la tabla que se incluye al final de este manual.

Descripción	Período
	Anualmente
Comprobar si la bomba presenta fugas, corrosión y suciedad.	Usuario
Comprobar la bomba, los ventiladores, el encendido, la célula fotoeléctrica, el quemador, la instalación eléctrica y el intercambiador de calor para ver su estado general.	Distribuidor
Comprobar si el conducto de combustible presenta obstrucciones, corrosión y fugas.	Usuario
Comprobar si el ventilador del quemador presenta corrosión y suciedad.	Usuario
Comprobar si el ventilador presenta fugas, corrosión y suciedad.	Usuario
Limpiar los filtros de la bomba y la válvula electromagnética.	Distribuidor
Comprobar la célula fotoeléctrica para ver si presenta daños. Asegurarse de que ésta no contenga polvo ni sedimentos.	Usuario
Comprobar el ajuste de los electrodos.	Distribuidor
Comprobar la boquilla, el polvo, etc.	Distribuidor
Limpiar el filtro de combustible con sustituto de aguarrás.	Usuario
Limpiar el intercambiador de calor.	Distribuidor
Limpiar la admisión/salida.	Usuario
Comprobar las correas trapezoidales.	Usuario

**Caliente**

¡No toque la chimenea ni la salida de aire!

Antes de realizar las operaciones de mantenimiento espere a que la chimenea y el aire se hayan enfriado lo suficiente.

5.2 Aspectos generales**Advertencia**

Desconecte la alimentación eléctrica durante todas las operaciones de mantenimiento.

Cuando almacene el generador durante un periodo prolongado:

1. Deje el generador encendido durante 3 minutos. Esto protegerá la bomba contra la corrosión.
2. Mantenga el quemador libre de polvo y sedimentos.
Un quemador sucio produce una mala combustión, lo que generará hollín y monóxido de carbono que, a su vez, dañará la cámara del quemador.
3. Cierre la válvula para el suministro de combustible.
4. Desconecte la alimentación eléctrica.

5.3 Ajuste de la admisión de aire y de los electrodos (Fig. 9)

- A Distancia boquilla-electrodo
- B Altura centro de boquilla-electrodo
- C Distancia de electrodos

5.4 Filtro

1. Retire el vidrio del filtro.
2. Retire el filtro.
3. Limpie el filtro. Sustituya en caso necesario.
4. Montaje en el sentido inverso.

5.5 Célula fotoeléctrica (Fig. 10)

Comprobación de la célula fotoeléctrica:

1. Abra la cubierta de lluvia (A) del generador, véase la fig. 5.
2. Retire la cubierta del quemador.
3. Afloje el tornillo (A) del relé del quemador unas cuantas vueltas.
4. Retire el relé del quemador completamente.
La célula fotoeléctrica está situada en la parte delantera del relé del quemador.
5. Limpie la célula fotoeléctrica (B) si el vidrio está negro.
Si el vidrio tiene alguna grieta, la célula fotoeléctrica deberá ser sustituida por el distribuidor.

Monte la célula fotoeléctrica en orden inverso.

5.6 Sustitución de la correa trapezoidal (Fig. 11)

Sólo para ventiladores radiales IMA 111 y IMA 185.

1. Retire la cubierta (A).
2. Baje el motor (B) utilizando las tuercas de ajuste (C).
3. Retire la correa trapezoidal (D) antigua.

Generador	Tensión de la correa trapezoidal	
	Presión	Distancia
IMA 111	4.4 lb	0.3 inch
IMA 185	5.7 lb	0.35 inch

Instale correas trapezoidales nuevas siguiendo el orden inverso.

**Precaución**

Ajuste la tensión de la correa trapezoidal según la tabla.

6 LOCALIZACIÓN DE AVERÍAS

Antes de intentar localizar averías, asegúrese de que el depósito de combustible esté lleno.

**Advertencia**

Para todos los ajustes y tareas de mantenimiento, póngase en contacto con personal con la debida formación, competencia y autorización.

**Advertencia**

Desconecte la alimentación eléctrica durante los trabajos de reparación.

6.1 Tabla de localización de averías

Fallo	Causa	Solución	Acción	
El generador no se pone en marcha.	1	El generador no tiene alimentación eléctrica.	Compruebe la conexión eléctrica.	Usuario
	2	El relé del quemador tiene un fallo: la luz quema.	Pulse el botón de restablecimiento del relé del quemador.	Usuario
	3	Se ha producido un fallo en el relé del quemador.	Sustituya el relé del quemador.	Distribuidor
	4	El ajuste del termostato es incorrecto.	Corrija los ajustes.	Distribuidor
	5	El termostato del recinto está defectuoso.	Sustituya el termostato.	Usuario
	6	No hay ninguna tapa en la conexión del termostato.	Coloque la cubierta si no se utiliza un termostato del recinto.	Usuario
	7	La bomba de combustible está bloqueada.	Sustituya la bomba de combustible.	Distribuidor
	8	El termostato máximo ha detenido el generador.	Compruebe (y corrija) el caudal de aire. Restablezca el generador.	Usuario
	9	El termostato combinado digital o sensor está defectuoso.	Sustituya el termostato combinado digital o sensor.	Distribuidor
	El quemador arranca, pero no se forma llama.	10	El motor principal está sobrecalentado.	Compruebe la admisión de aire. Deje que el motor se enfríe hasta el restablecimiento del termopar. Consulte los fallos: 2, 3, 4, 5, 6, 8, 9.
		Pruebe el motor y sustituya en caso necesario.		Distribuidor
11		El condensador del motor del quemador está defectuoso.	Sustituya el condensador.	Distribuidor
	12	El termostato del recinto se ha situado en el flujo de aire caliente.	Instale el termostato del recinto fuera del flujo de aire caliente.	Usuario
El quemador arranca, pero no se forma llama.	13	El acoplamiento de la bomba está defectuoso.	Sustituya el acoplamiento de la bomba.	Distribuidor
El quemador arranca, pero no se forma llama.	14	El condensador del motor principal está defectuoso.	Sustituya el condensador.	Distribuidor
	15	La presión de la bomba es incorrecta, o el filtro de la bomba está obstruido.	Ajuste la presión de la bomba con un manómetro.	Distribuidor
	16	El filtro principal está obstruido.	Limpie o sustituya el filtro.	Usuario
	17	La válvula del filtro de combustible está cerrada.	Abra la válvula.	Usuario

Fallo	Causa	Solución	Acción	
El quemador arranca, pero no se forma llama.	18	El depósito de combustible está vacío.	Llene el depósito.	Usuario
	19	El vacío de la bomba de combustible es demasiado elevado.	Limpie o sustituya el filtro de combustible principal.	Usuario
			Compruebe si el conducto de aspiración presenta obstrucciones. Compruebe el vacío con un vacuómetro.	Distribuidor
	20	La boquilla está bloqueada o desgastada.	Sustituya la boquilla.	Distribuidor
	21	Los electrodos están desgastados o los ajustes son incorrectos.	Limpie o sustituya los electrodos.	Distribuidor
	22	La válvula electromagnética no se abre.	Compruebe la conexión eléctrica. Debe escuchar un clic cuando el generador se conecte o desconecte.	Usuario
			Limpie o sustituya la válvula electromagnética.	Distribuidor
	23	La célula fotoeléctrica está sucia o defectuosa.	Compruebe y limpie la ventana. Limpie la célula fotoeléctrica. Limpie el disco giratorio.	Usuario
			Pruebe la célula fotoeléctrica y sustituya en caso necesario.	Distribuidor
24	La válvula de admisión de aire del quemador tiene un ajuste incorrecto.	Compruebe la válvula de admisión de aire. Mida el CO ₂ y el hollín.	Distribuidor	
25	El ajuste de la boquilla es incorrecto o la boquilla está sucia.	Corrija el ajuste de la boquilla. Limpie el portaboquillas.	Distribuidor	
26	Chimenea en mal estado o conexión de chimenea en mal estado.	Conecte el generador a una chimenea en buen estado. Corrija las conexiones.	Usuario	
27	El transformador de encendido está defectuoso.	Pruebe el aislamiento en relación al quemador. Sustituya el transformador de encendido en caso necesario.	Distribuidor	
El quemador no arranca bien (pulsación).	28	El suministro de aire fresco es insuficiente.	Abra una puerta o una ventana. Utilice un dispositivo de aspiración de aire exterior para el quemador.	Usuario
			Utilice una conexión de aire fresco para el quemador.	Usuario
El quemador no arranca bien (pulsación).	29	Problemas con la cámara del quemador o el intercambiador de calor.	Limpie, repare o sustituya la cámara del quemador y el intercambiador de calor, en caso necesario.	Distribuidor

Fallo		Causa	Solución	Acción
El generador quema a intervalos cortos.	30	El termostato del quemador tiene un ajuste incorrecto.	Ajuste el termostato del quemador de acuerdo a las especificaciones del fabricante.	Distribuidor
El quemador produce hollín.	31	La admisión de aire no se ha ajustado correctamente.	Ajuste la admisión de aire.	Distribuidor
El quemador arranca, se hace llama, pero el quemador se para.	32	El relé del quemador presenta un fallo.	Repáre o sustituya el relé del quemador.	Distribuidor
El generador no se puede apagar.	33	La válvula electromagnética no se cierra.	Cierre la válvula del suministro de combustible.	Usuario
			Repáre o sustituya la válvula electromagnética.	Distribuidor
El generador de detiene completamente.	34	Se ha producido un problema de sobrecalentamiento en el generador.	Restablezca el termostato.	Usuario
			Reduzca la resistencia en la salida.	Usuario
			Póngase en contacto con el distribuidor si se repite el problema.	Usuario
El generador deja de quemar. El botón de reinicio está encendido.	35	El conducto de aspiración o el filtro principal tienen una fuga de aire.	Compruebe estos componentes y sustitúyalos en caso necesario.	Usuario
		La rejilla de protección para la admisión de aire está sucia o bloqueada.	Limpie la rejilla.	Usuario
		El intercambiador de calor se ha obturado.	Limpie el intercambiador de calor.	Distribuidor
El generador produce humo blanco.	36	Hay aire en el sistema de combustible.	Compruebe si hay fugas en el sistema de suministro de combustible.	Usuario
El generador consume demasiado combustible.	42	La boquilla es demasiado grande o se está utilizando un tipo incorrecto.	Compruebe los conductos de combustible.	Usuario
			Retire y sustituya la boquilla por una correcta.	Distribuidor

Registre los detalles de mantenimiento en la Tabla A en el apéndice que se incluye al final de este manual.

7 PIEZAS DE REPUESTO

Para el funcionamiento le recomendamos que tenga piezas de repuesto almacenadas. Consulte la tabla B en el apéndice.

8 INFORMACIÓN TÉCNICA

- Para conocer las especificaciones técnicas del aparato, consulte la tabla C del apéndice que se incluye al final de este manual.

9 INSTALACIÓN DE ACCESORIOS

9.1 Chimenea (Fig. 4)

El generador se suministra con una conexión para una chimenea.

1. Instale la chimenea (B) en la conexión para chimenea (C) del generador.



Precaución

La chimenea debe estar orientada hacia arriba. Nunca coloque la chimenea en posición horizontal. Es aceptable un ángulo de 45°. La longitud mínima de la chimenea es de 1000 mm.

2. Acople una cubierta para lluvia (A) en el extremo de la chimenea para uso exterior.

9.2 Diámetro de la conexión de la chimenea

IMA 61	IMA 111	IMA 185
7 inch	8 inch	8 inch

9.3 Manguera de salida

Debe acoplar una manguera de salida a la salida del generador para expulsar el aire calentado a un espacio remoto alejado del generador.



Precaución

Compruebe la resistencia térmica de la manguera utilizada.

Póngase en contacto con su distribuidor para obtener información sobre las longitudes máximas de las mangueras de salida, los codos, los conductos de distribución y las abrazaderas de manguera.

9.4 Diámetros de las mangueras de salida

Número de salidas	IMA 61	IMA 111	IMA 185
	inch	inch	inch
1	∅ 16	∅ 20	∅ 24
2	∅ 12	∅ 15	∅ 20
3	-	-	∅ 15
4	-	∅ 12	∅ 12

Contrapresión del ventilador	IMA 61	IMA 111	IMA 185
	lb/ft ²	lb/ft ²	lb/ft ²
	8.35	8.35	9.4

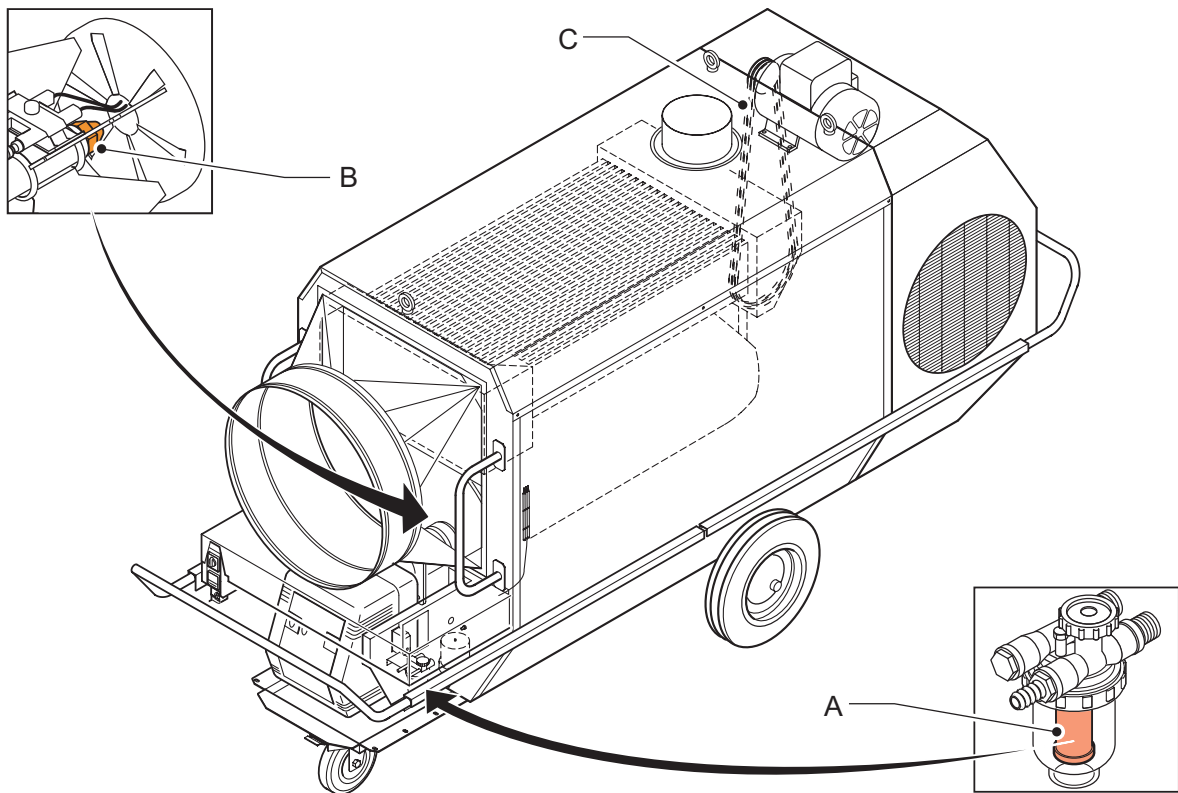
9.5 Termostato del recinto

Consulte las instrucciones del termostato del recinto.

10 NORMAS Y DIRECTIVAS

Para las normas y directrices, vaya a www.thermobile.nl.

B



		IMA 61	IMA 111	IMA 185
A	Fuel filter Filtre d'essence Filtro de combustible	41.520.031	41.520.031	41.520.031
B	Nozzle Gicleur Boquilla	40.504.709	41.524.042	41.728.101
C	V-belt Courroie Correa de impulsión	-	41.724.420 (1x)	41.728.427 (1x)

C

Heater		IMA 61 US	IMA 111 US	IMA 185 US
Capacity, gross Capacité, brut Capacidad, bruto	Btu	210,000	370,000	683,000
Capacity, net Capacité, nette Capacidad, neto	Btu	191,000	335,000	642,000
Air capacity Capacité d'air Capacidad de aire	Foot ³ /h	170.000	320.000	460.000
Max. pressure air outlet Pression max. sortie d'air Presión máxima salida de aire	lb/ft ²	8.35		9.4
Warm air Air chaud Aire caliente	ΔT (°F)	98	95	104
Fan thermostat Thermostat de ventilateur Termóstato del ventilador	°F	95		
Burner thermostat Thermostat de brûleur Termóstato de la hornilla	°F	200		
Maximum thermostat Thermostat maximum Termóstato máximo	°F	240		
Power Puissance Alimentación	V	1 x 120	2 x 230	
Frequency Fréquence Frecuencia	Hz	60		
Current max. Courant max. Corriente max.	A	17	14.7	27
Length Longueur Longitud	inch	78.3	87.8	106.7
Width Largeur Anchura	inch	28	30.7	35.8
Height Taille Altura	inch	50.4	52.8	59.8

Heater		IMA 61 US	IMA 111 US	IMA 185 US
Weight Poids Peso	pound	485	727.5	943.6

Burner		IMA 61 US	IMA 111 US	IMA 185 US
Burner Brûleur Quemador		Riello 40F5	Riello 40F10	Riello 40F15
Fuel Combustible Combustible		No. 1, No. 2, Diesel		
Fuel consumption Consommation de combustible Consumo de combustible	Gal/h	1.6	2.83	5.1
Nozzle (SLW) Gicleur Boquilla	USG/h	Danfoss 1.35 - 60°S	Danfoss 2.25 - 60°S	Danfoss 4.00 - 60°S
Pump pressure Pression de la pompe La presión de la bomba	Psi	145		180
Adjustment air valve		6	5.5	4.5
Adjustment turbulator		4	4.2	2.2
Power, 1 ph Capacité, 1 phase Capacidad, 1 fase	Watt	175	175	450
Power Puissance Alimentación	V / Hz	120 / 60		
Current Courant Corriente	A	2.2	2.2	4
Burner automat		Riello 530SE/C		

- ρ (15° C): 0.85 kg/dm³
- H_i = 42.689 MJ/kg
- H_s = 45.5 MJ/kg
- 1 kW = 860 kcal/h
- 1 kW = 3413 Btu/h
- 1 kW = 3.6 MJ/h

© 2011 Thermobile Industries B.V.

All rights reserved. The available information has been prepared to a high level of care, but Thermobile Industries B.V. cannot be held liable for possible errors in the information or the consequences thereof. The information provided herein may not be reproduced and/or published in any form, by print, (electronically or mechanically) without the prior written authorisation of Thermobile Industries B.V.

© 2011 Thermobile Industries B.V.

Tous les droits réservés. L'ensemble des informations disponibles a été préparé avec un soin extrême. Cependant, Thermobile Industries B.V. décline toute responsabilité à l'égard des erreurs possibles ou de leurs conséquences. Les informations fournies ici ne peuvent être reproduites ou publiées sous quelque forme que ce soit, voire imprimées (électroniquement ou mécaniquement) sans l'autorisation écrite préalable de Thermobile Industries B.V.

© 2011 Thermobile Industries B.V.

Todos los derechos reservados. La información disponible se ha preparado con sumo cuidado pero, en caso de errores en dicha información, Thermobile Industries B.V. no será considerada responsable de los mismos ni de las consecuencias derivadas de éstos. La información aquí contenida no puede ser reproducida ni publicada en forma alguna, mediante impresión (electrónica o mecánica) sin la previa autorización por escrito de Thermobile Industries B.V.