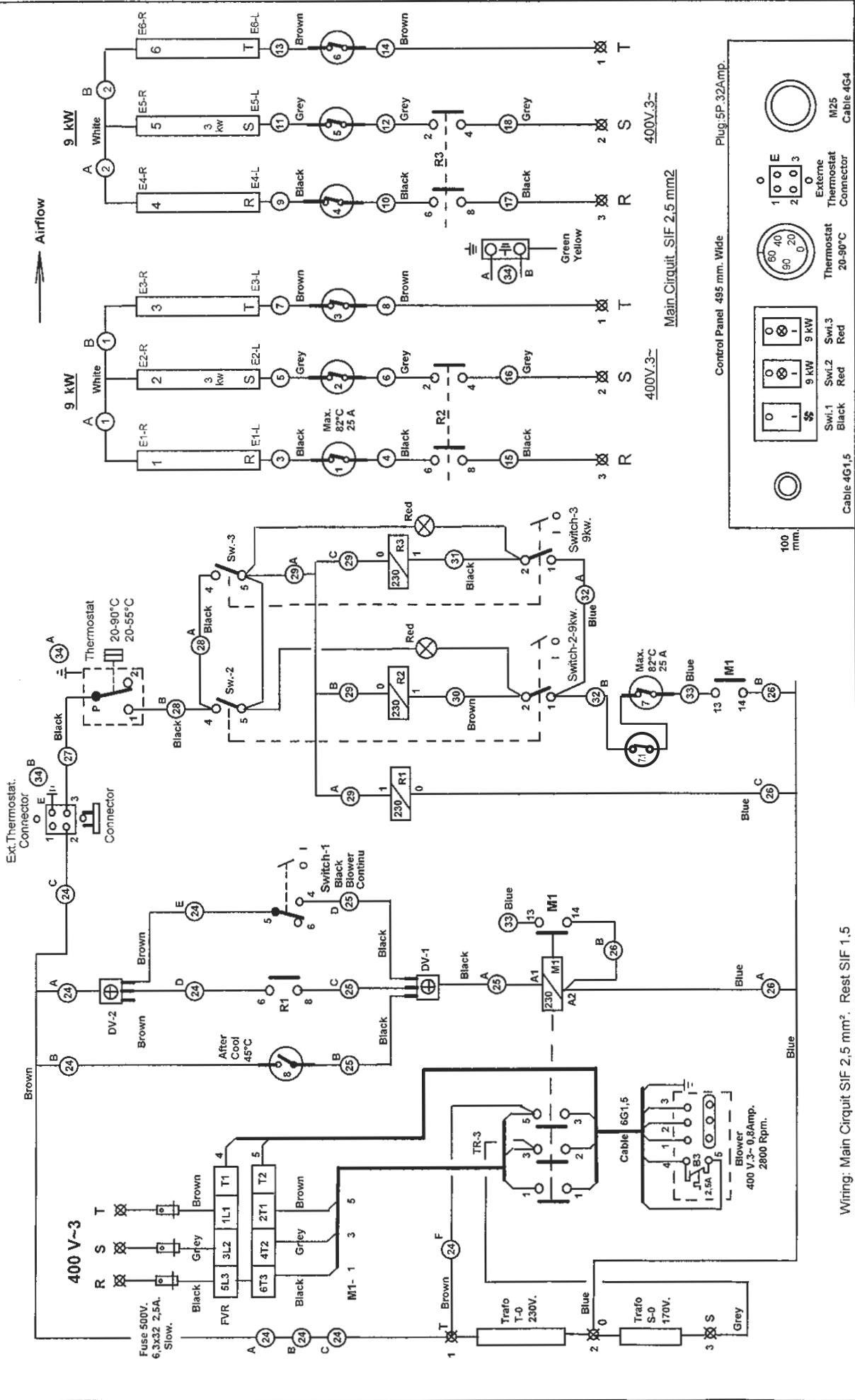


# Principle Diagram Electric Bugs Destroyer 18kw. 400V.3~ 50Hz. - 2 x 9 Kw. - 26Amp.Max. Thermobile Industries bv.

Main Fuse max. 3x35 Amp. Max.

Bijwerk datum: 14-01-2015



Wiring: Main Circuit SIF 2,5 mm<sup>2</sup>, Rest SIF 1,5

D1-A-verk.1Th-bille 1 Bugs-des 1 | Pr-Sch-4 30-11-2013

# Wire Diagram 5 Bugs Destroyer 18kw. Blower 3Fase 2800 Rpm.0,8Amp.

400 Volt 3~ +E 50Hz. 9 + 9 Kw. 26 Amp. Airspeet 13 m./Sec. 4600 m3/H. Bijwerk dd:14-01-2015

